

DE

Montageanleitung

FR

Notice de montage

GB

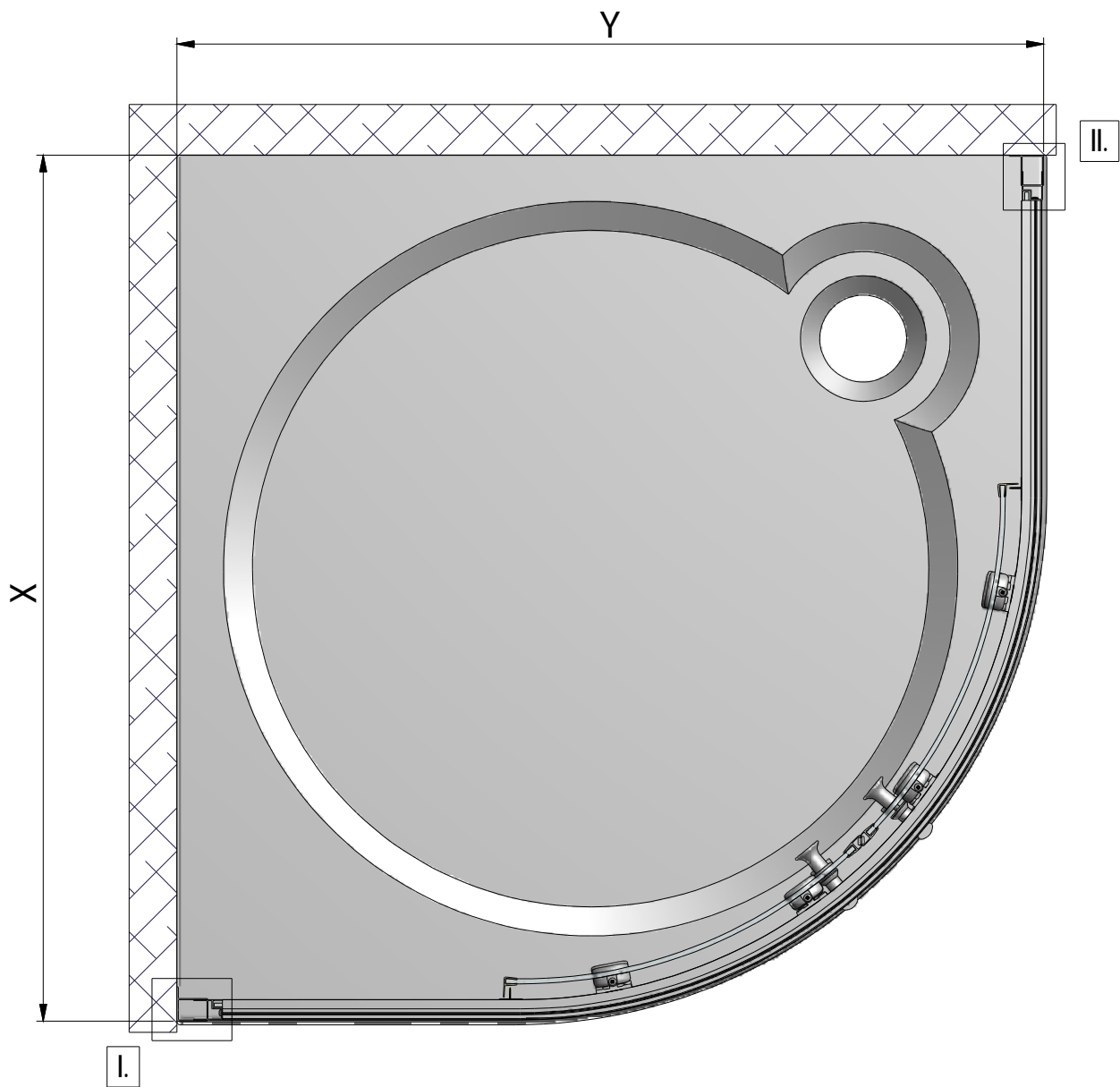
Installation instructions



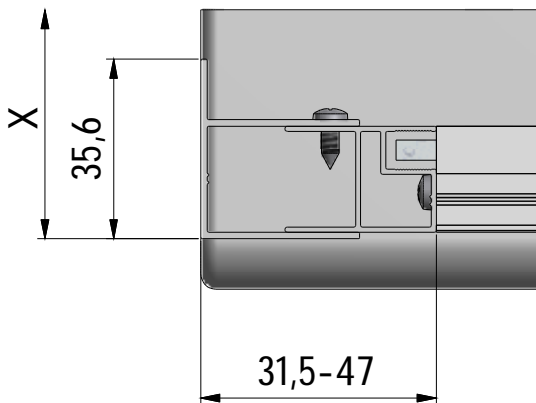
# EQUI



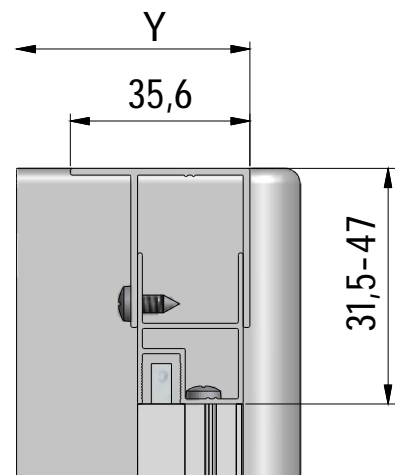




I.



II.



	X (MIN-MAX mm)	Y (MIN-MAX mm)
800	780-795	780-795
900	880-895	880-895

7. 2x  
(V148)



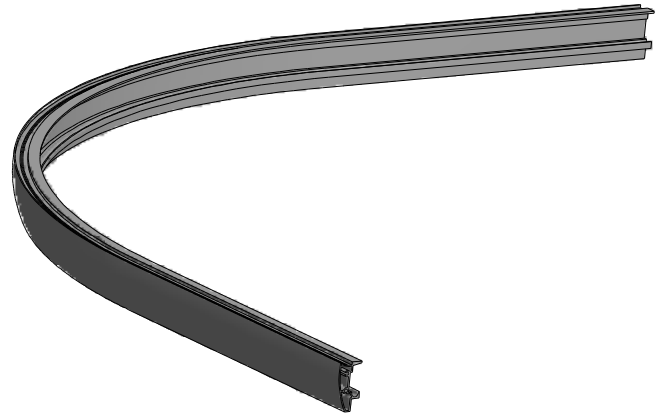
2. 2x  
(V149)



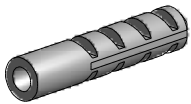
3. 2x  
(P3081)



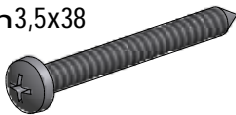
8. 2x  
(P179)



4. 6x (M0511)



5. 6x (M0795)  
n3,5x38



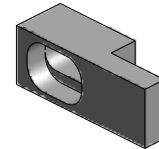
6. 12x  
(MA0511)



10. 8x (M0794)  
n3,5x32



11. 4x (MA0064)



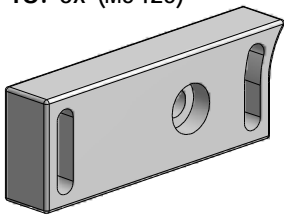
12. 14x (M0806)  
n3,5x9,5



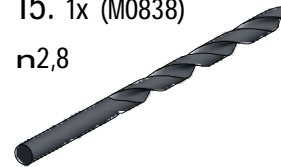
16. 4x (M4928)  
n3,5x6,5



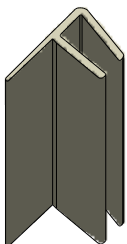
13. 8x (M5425)



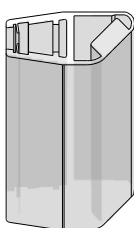
15. 1x (M0838)  
n2,8



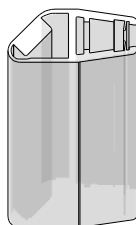
17. 2x+2x  
(P3200+P3201)



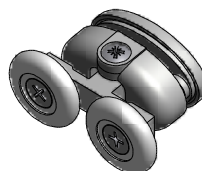
18. 1x  
(MA2020)



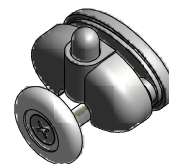
19. 1x  
(MA2021)



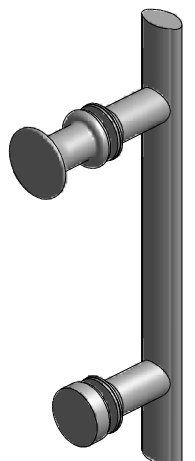
20. 4x  
(M9886)

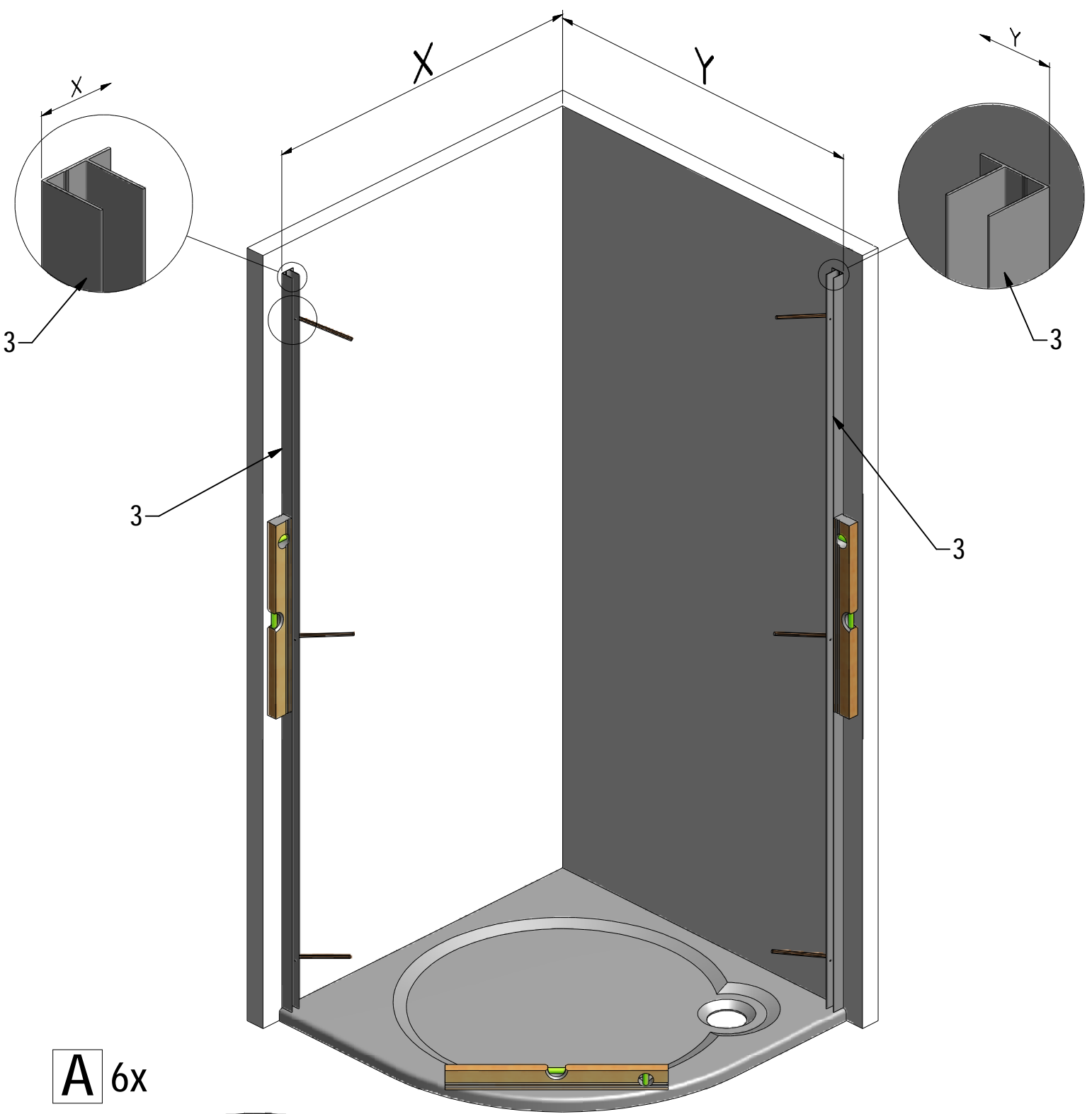


21. 4x  
(M9887)

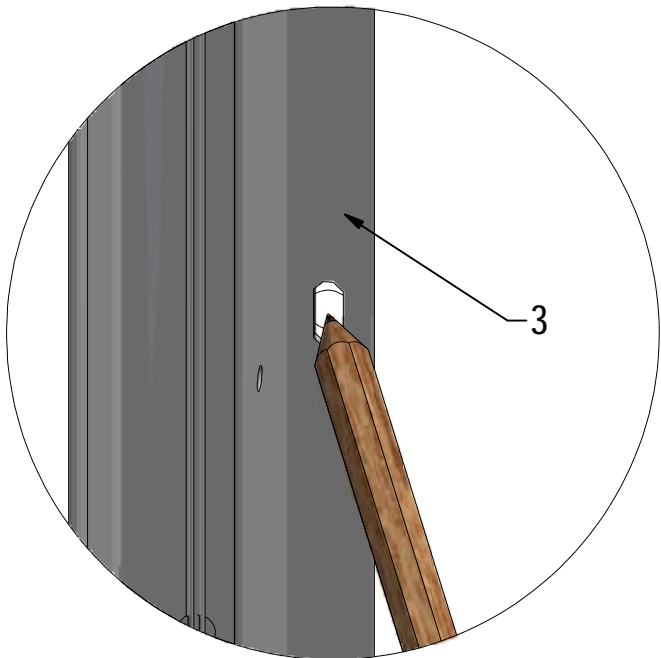


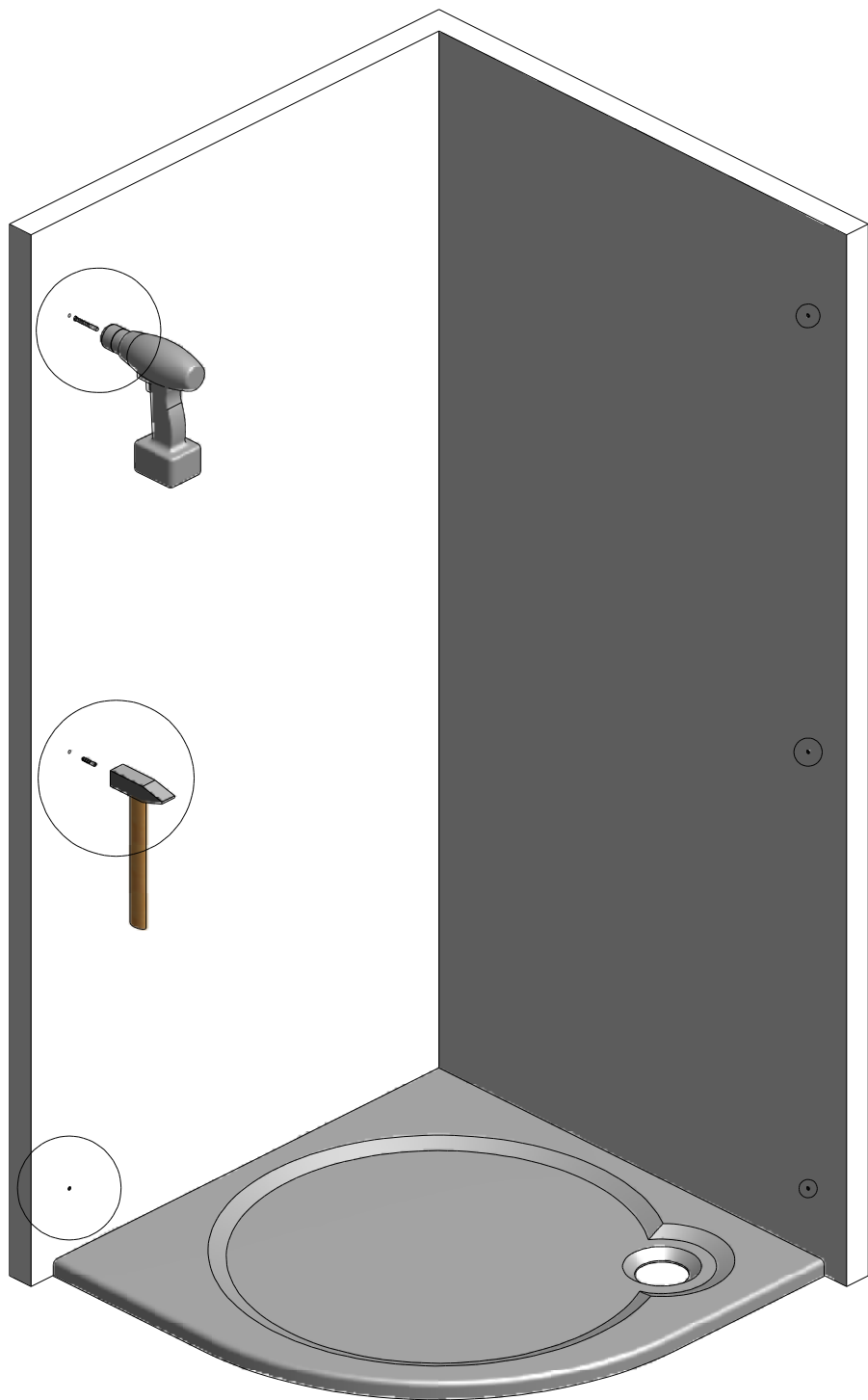
22. 2x  
(MA0068)



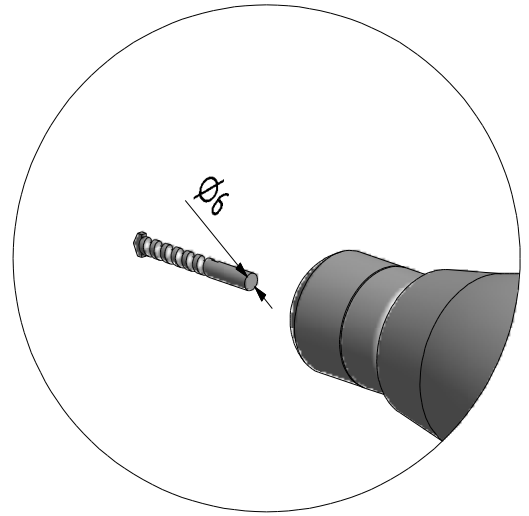


**A** 6x

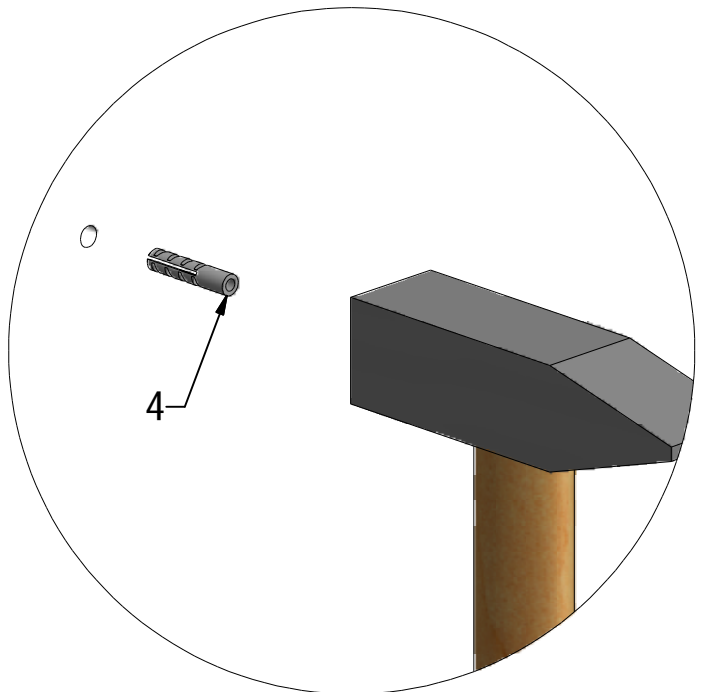




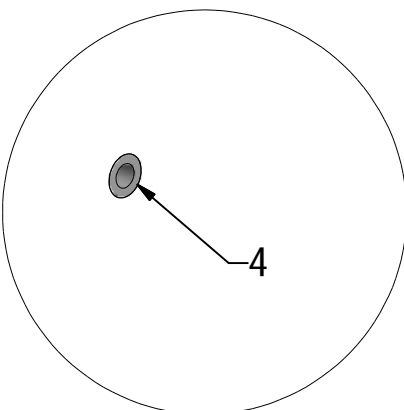
**B** 6x

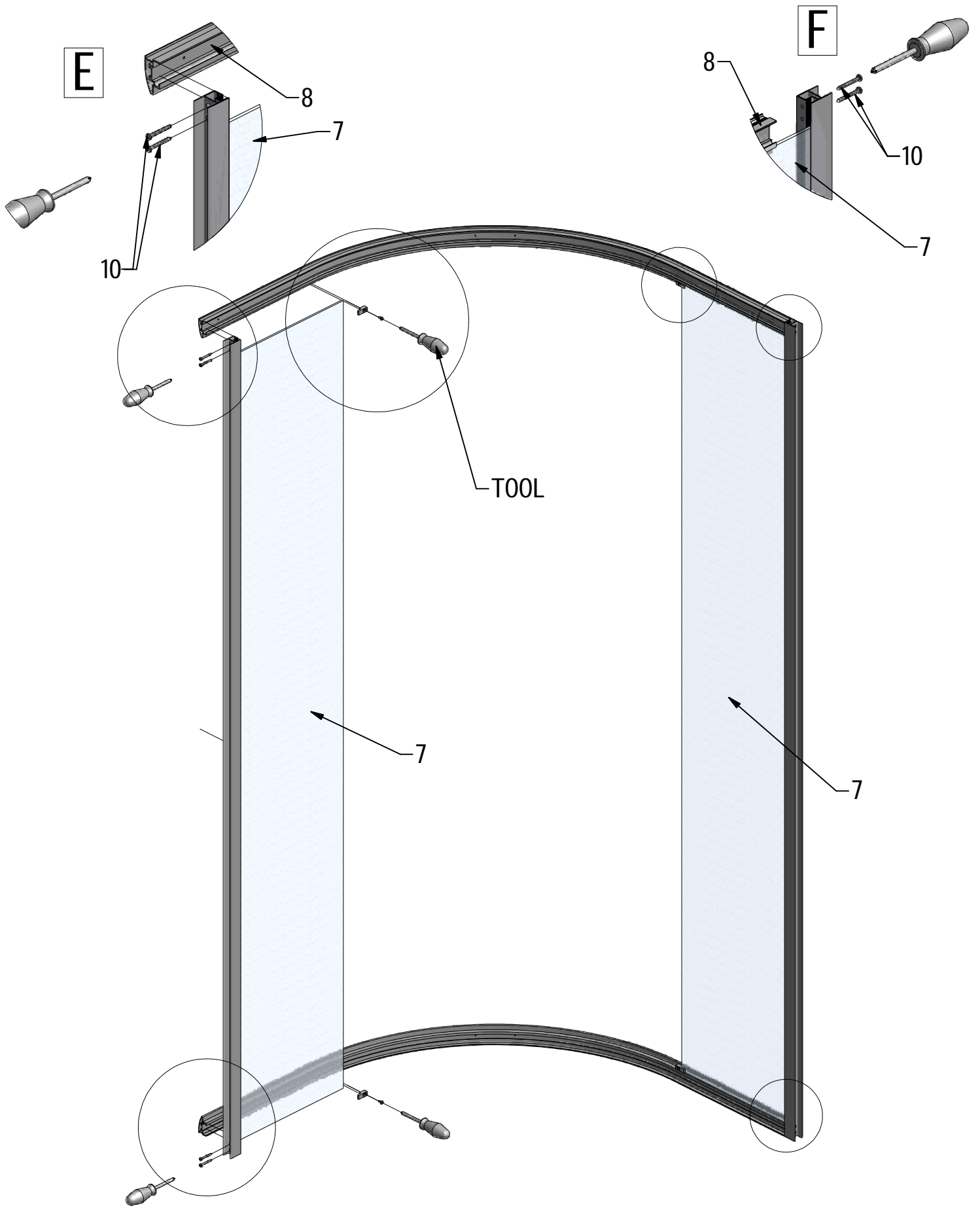


**C** 6x



**D** 6x





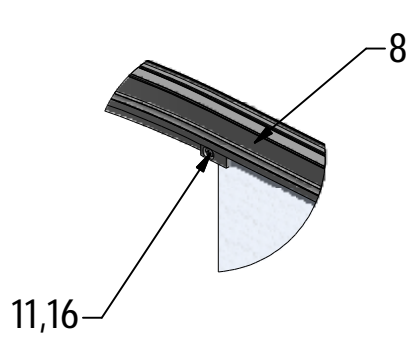
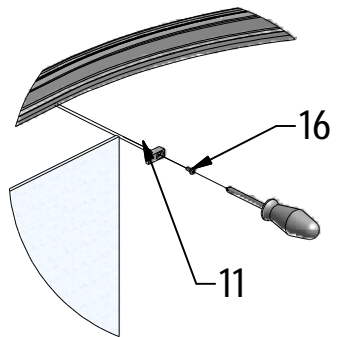
**E**

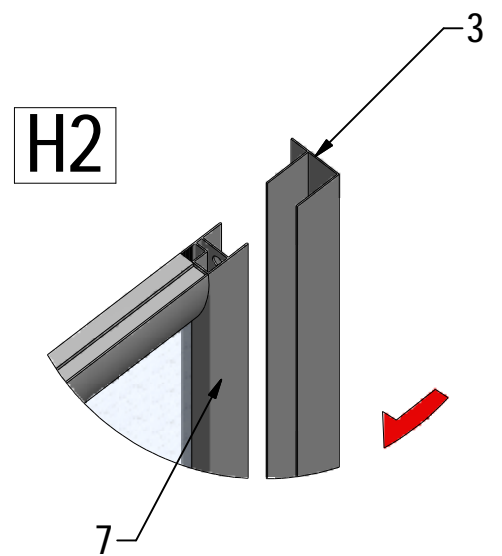
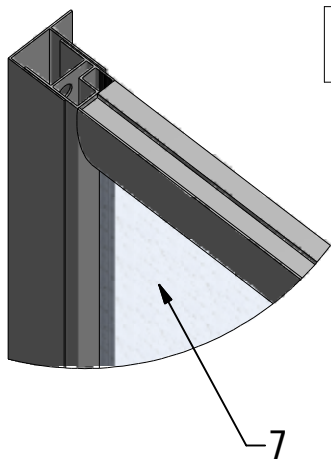
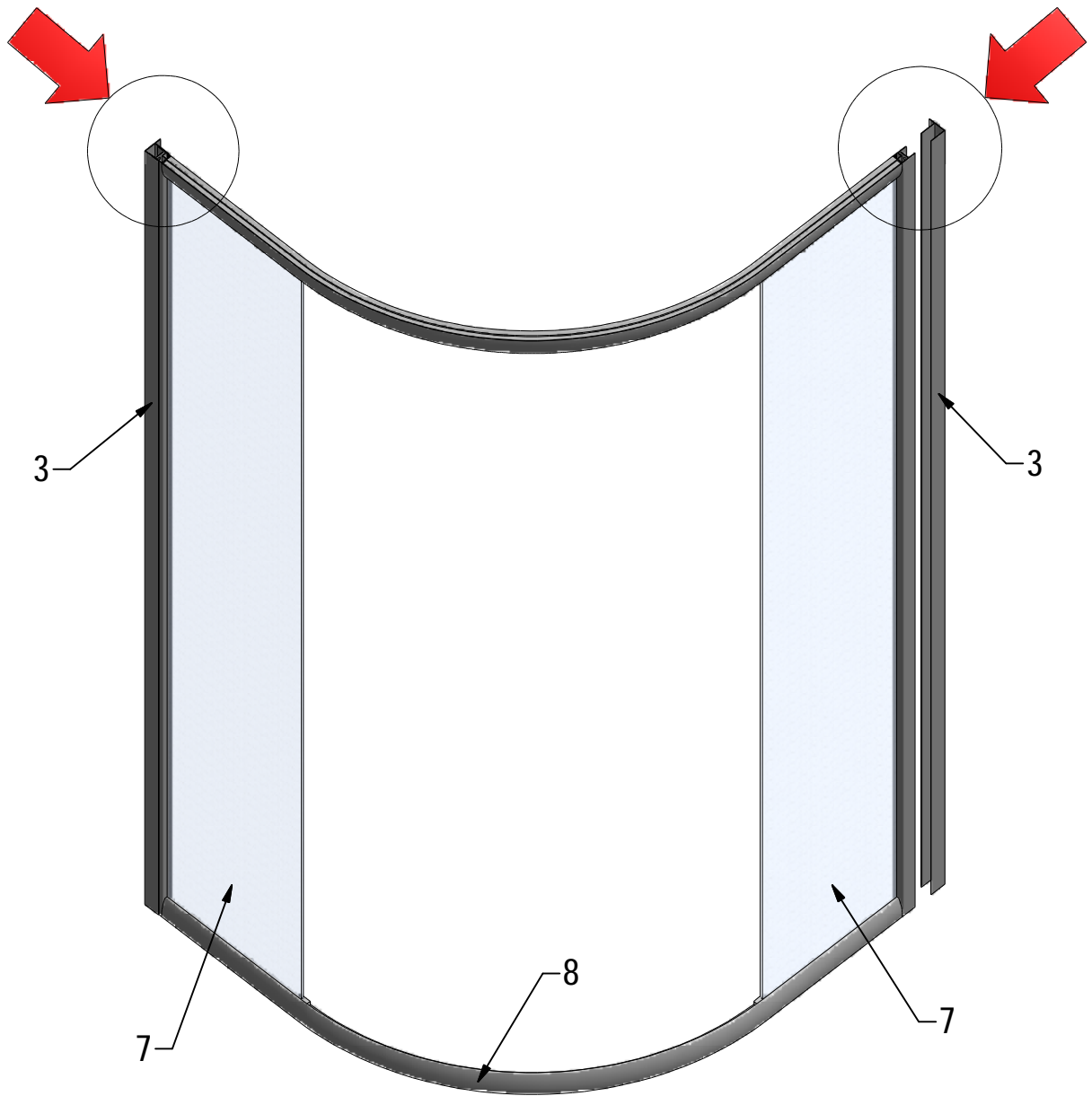
**F**

TOOL

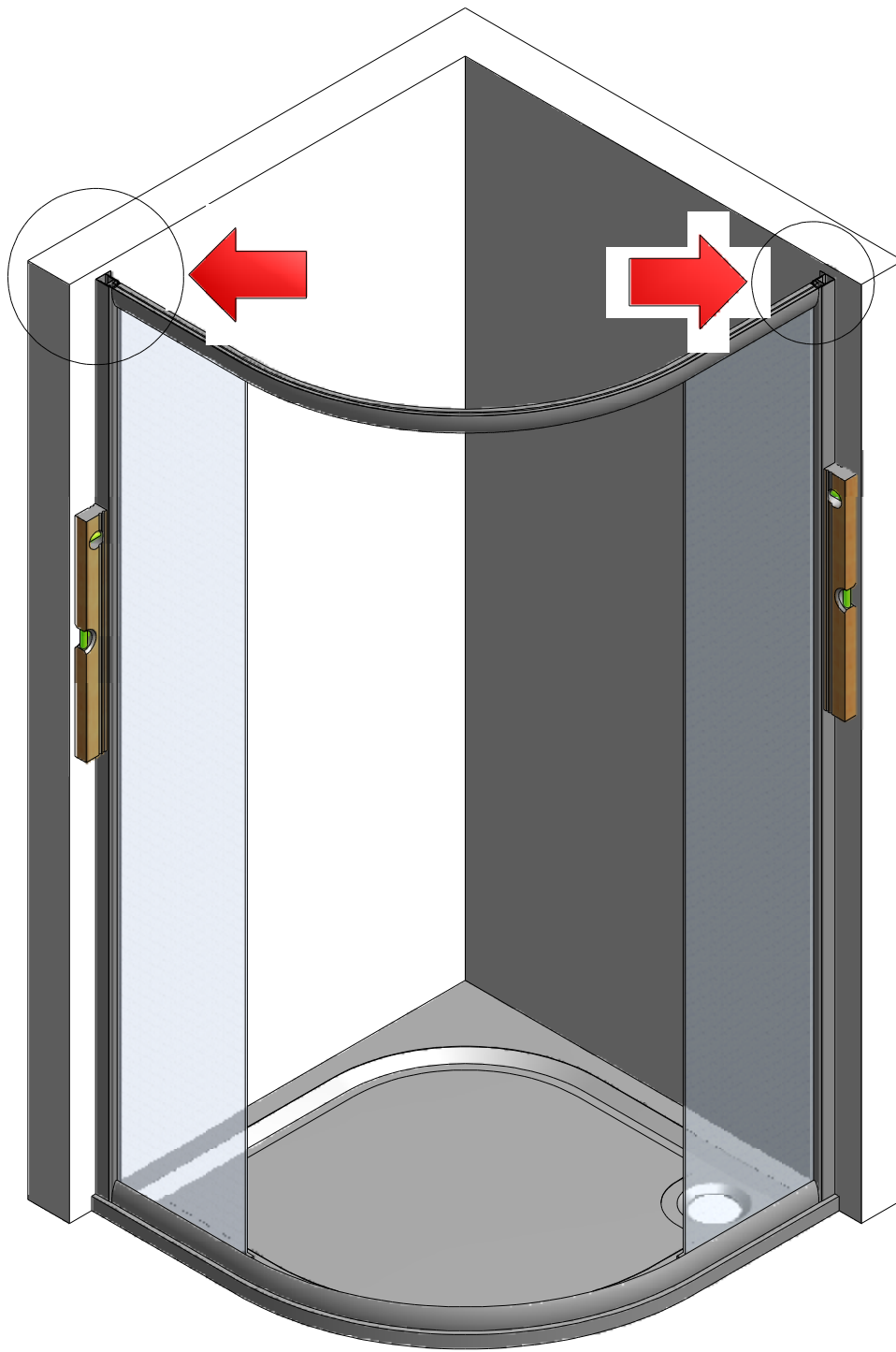
**G1**

**G2**



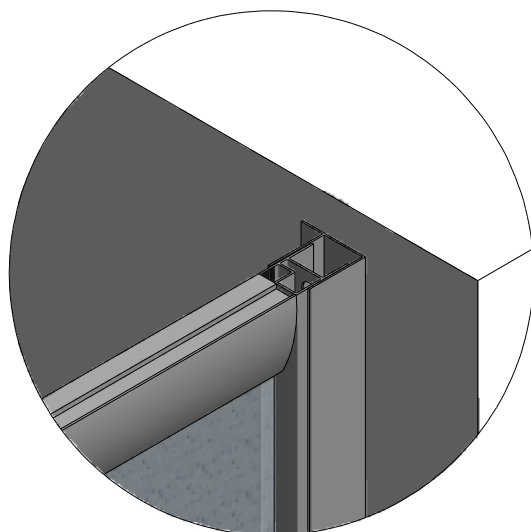
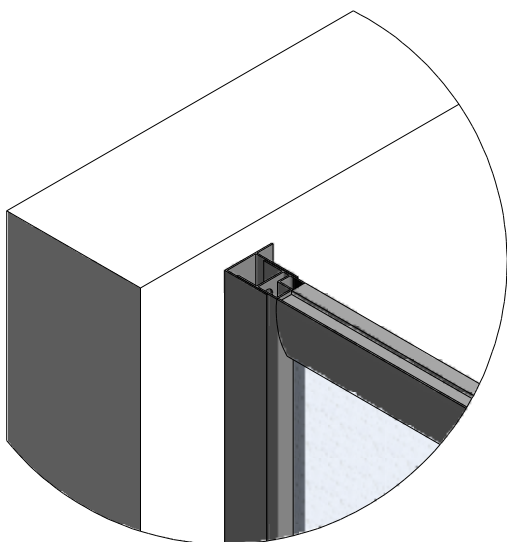


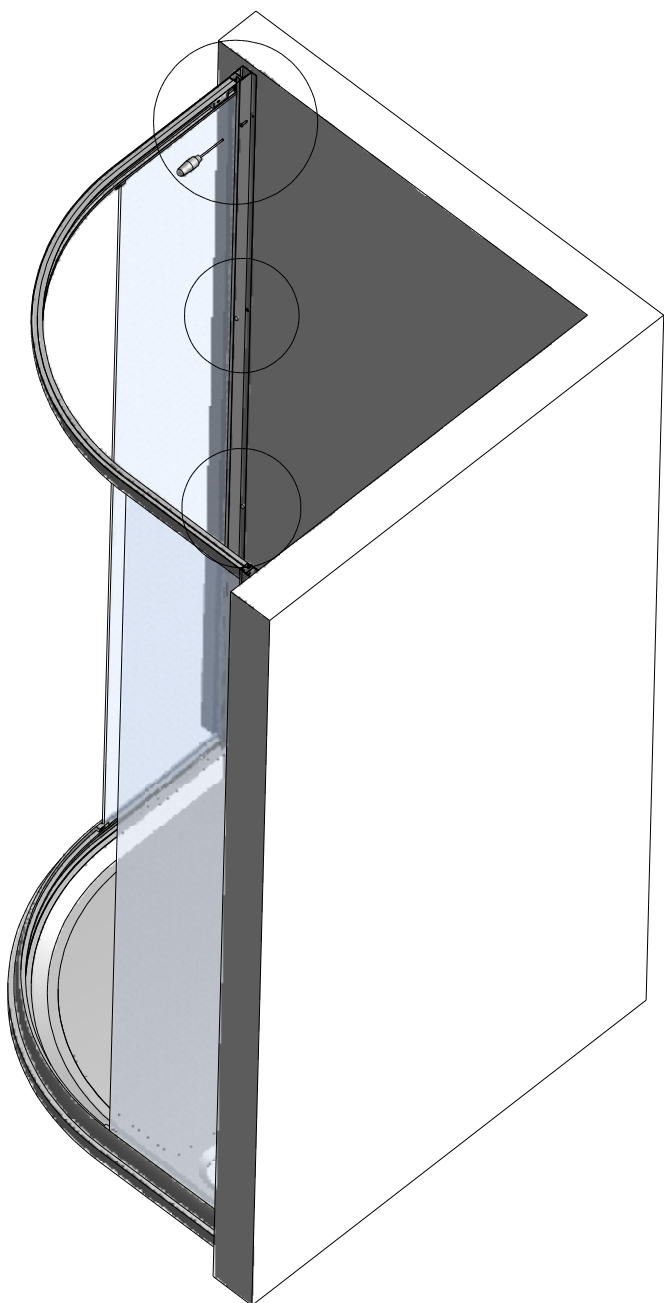




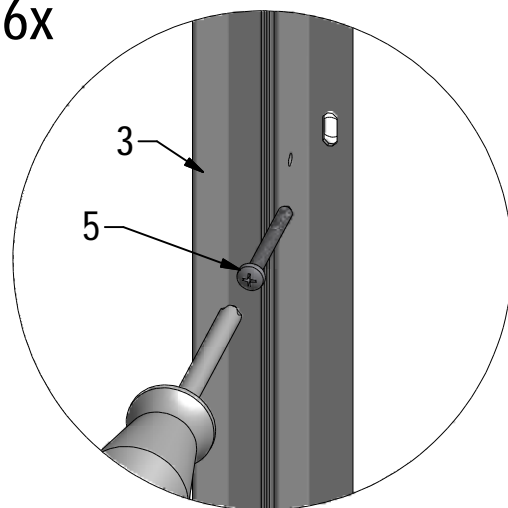
I1

I2

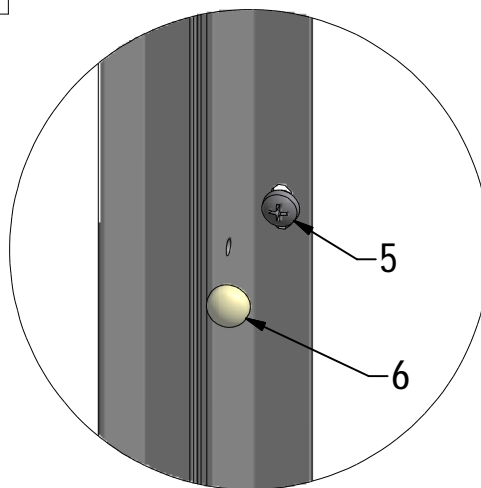




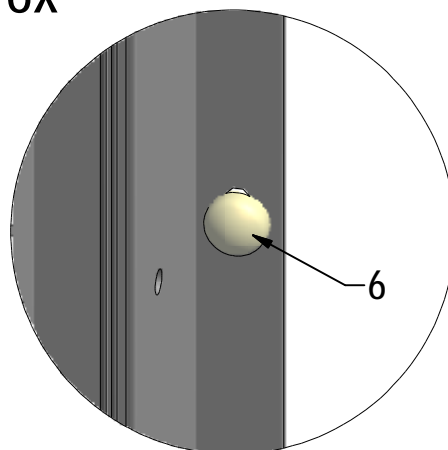
**J** 6x



**K** 6x



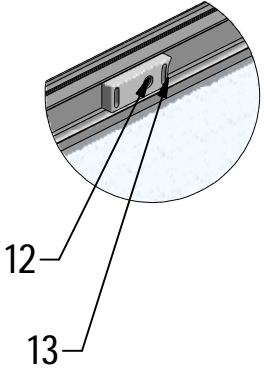
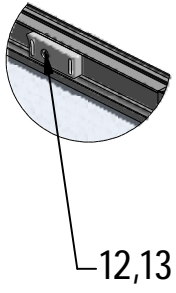
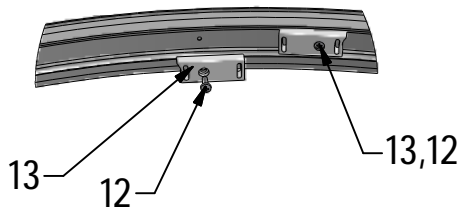
**L** 6x



N1

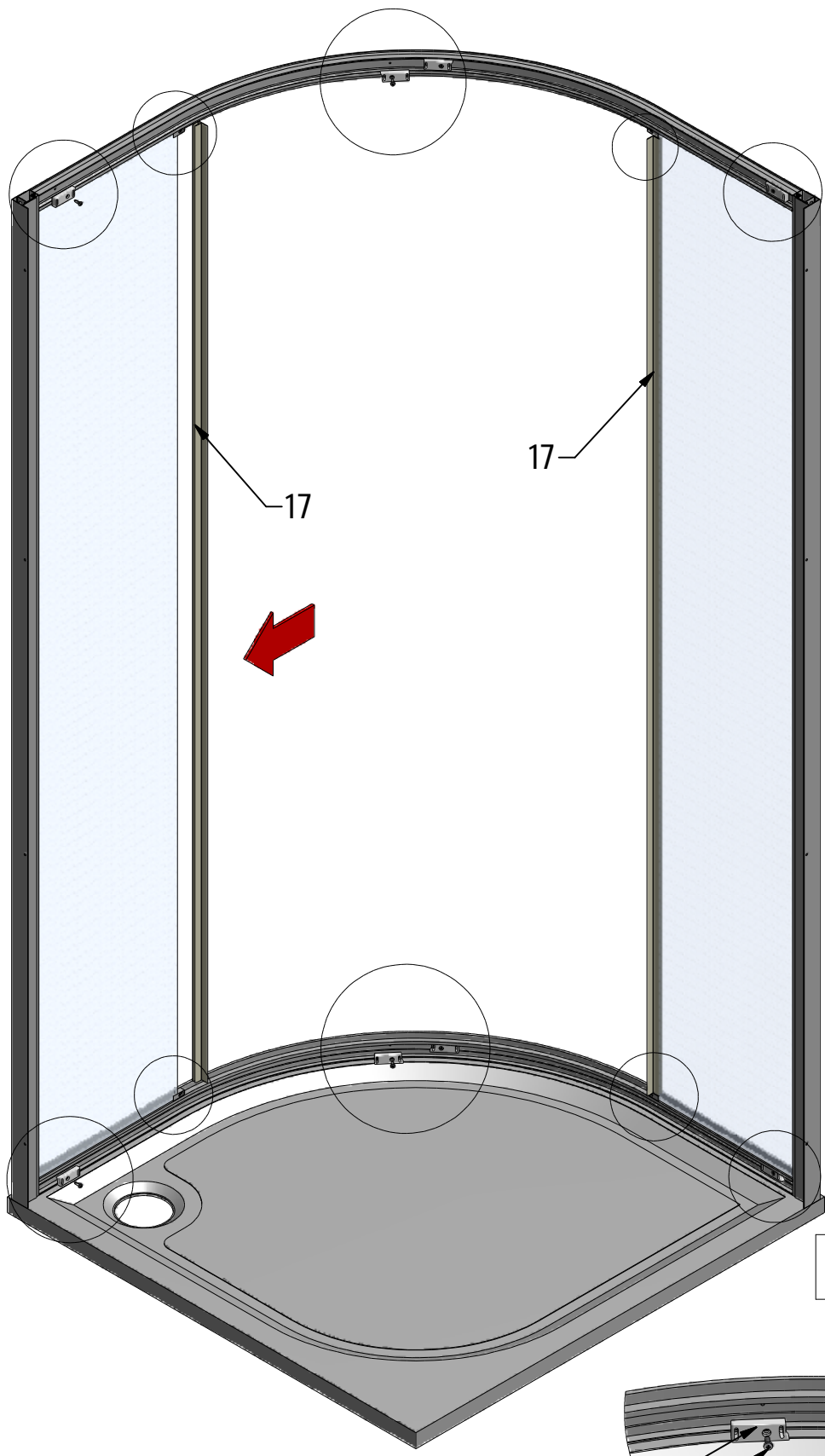
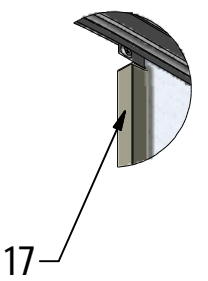
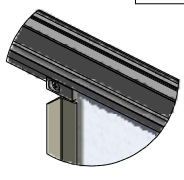
M2

M1

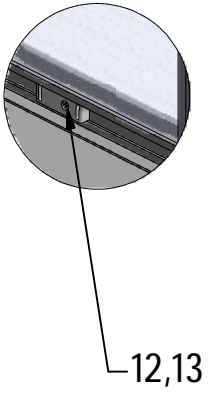


P1

P2

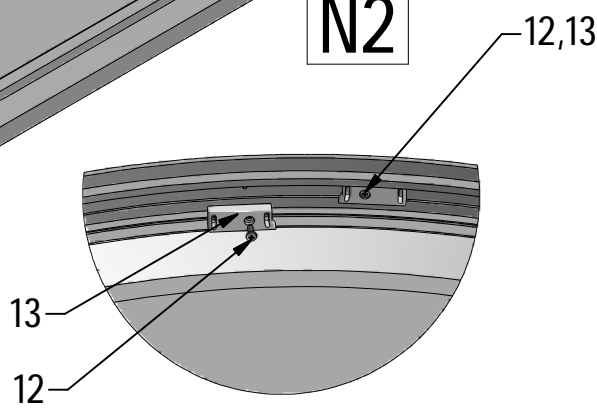
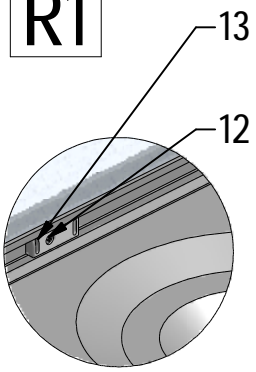


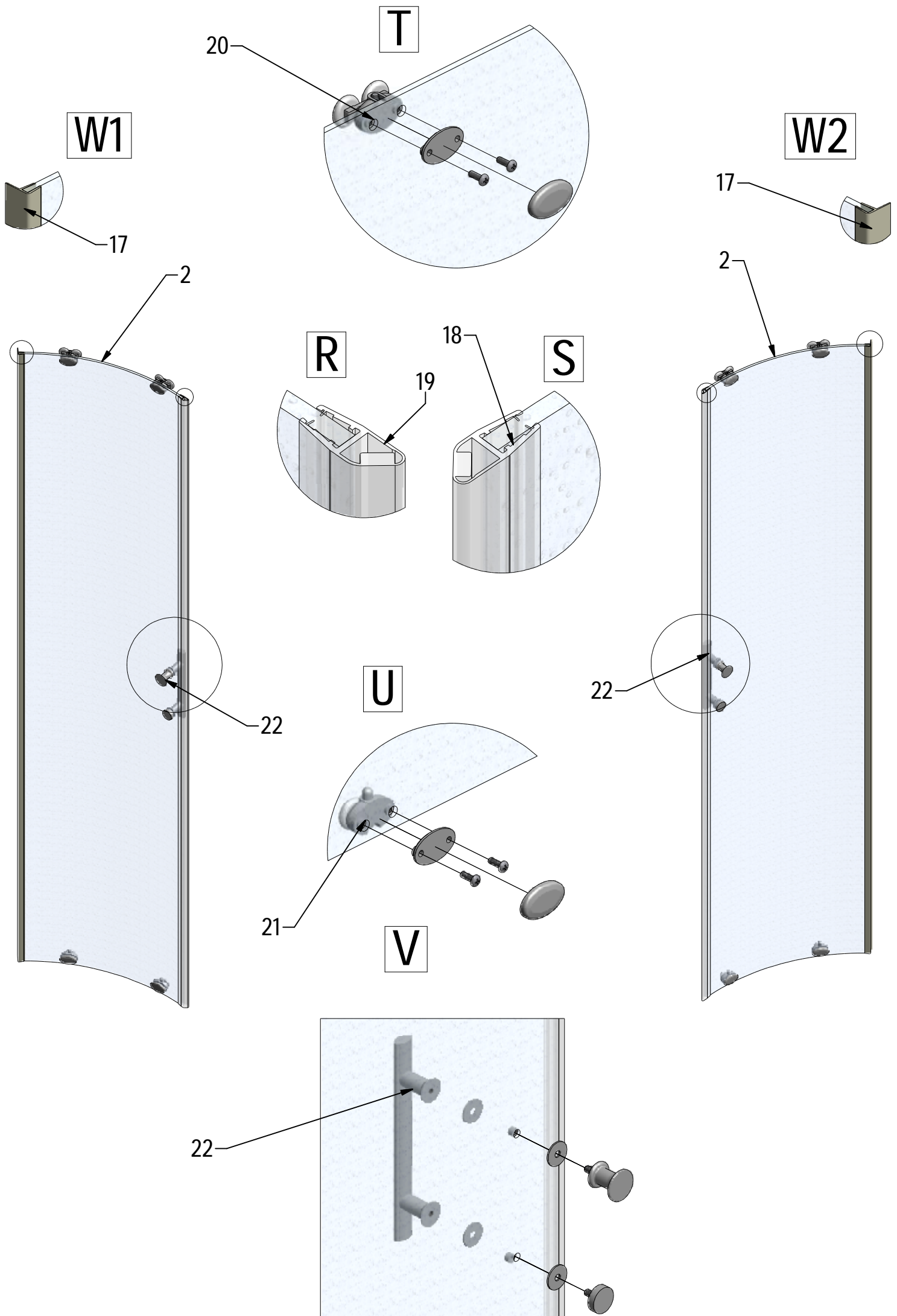
R2



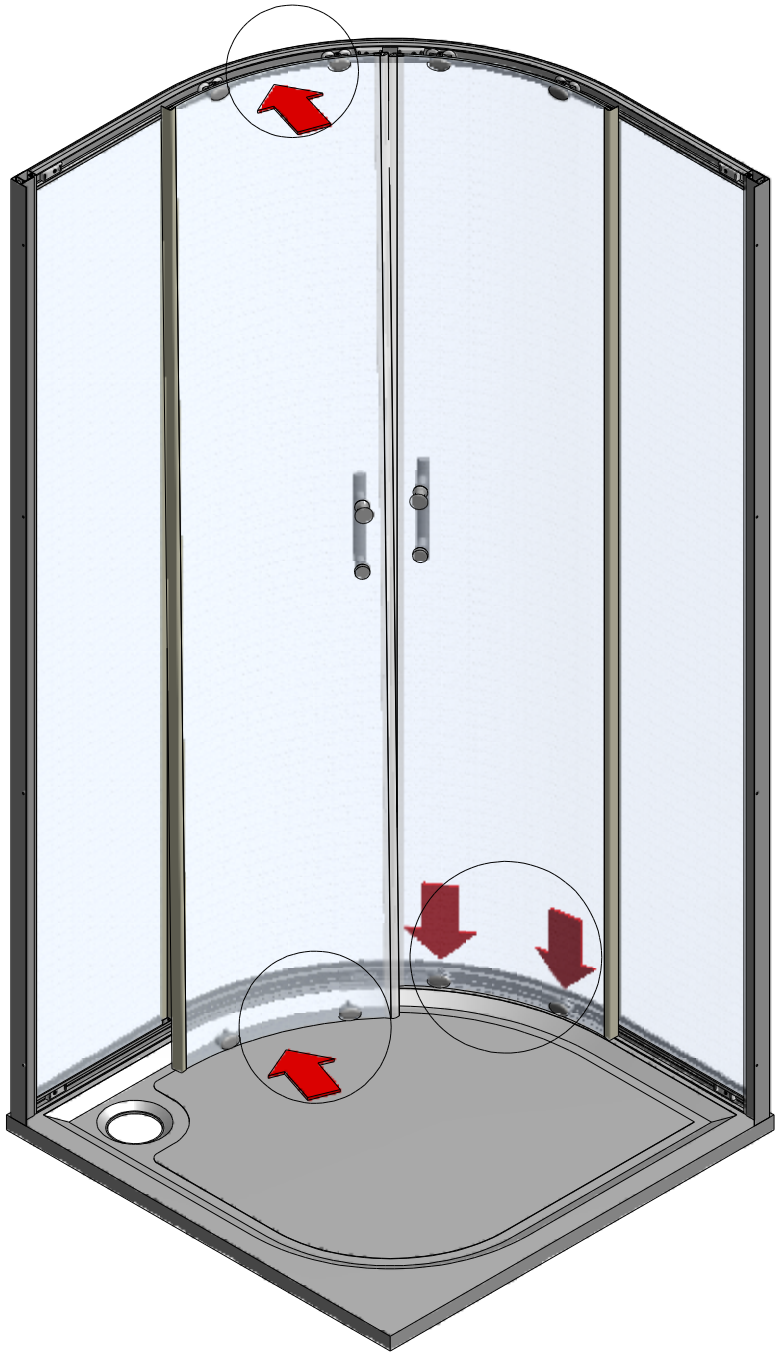
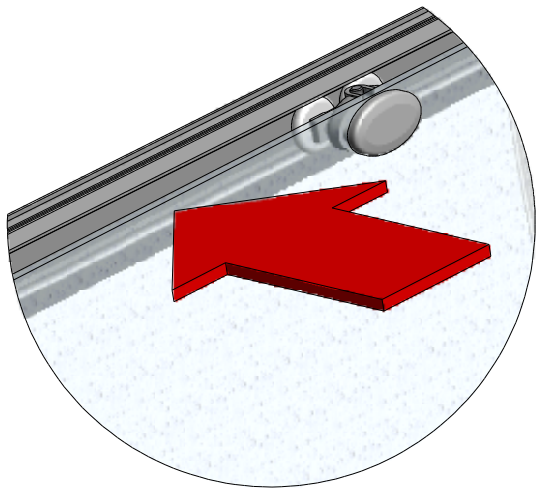
R1

N2

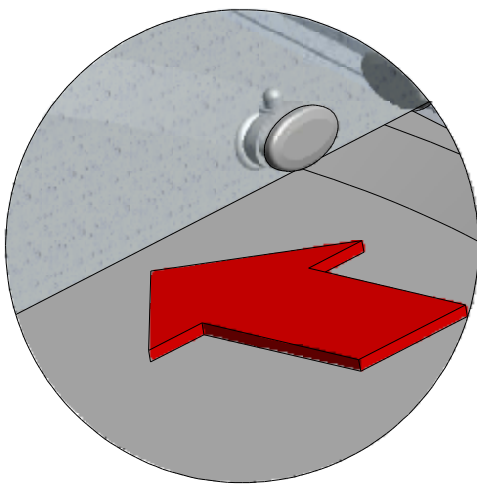




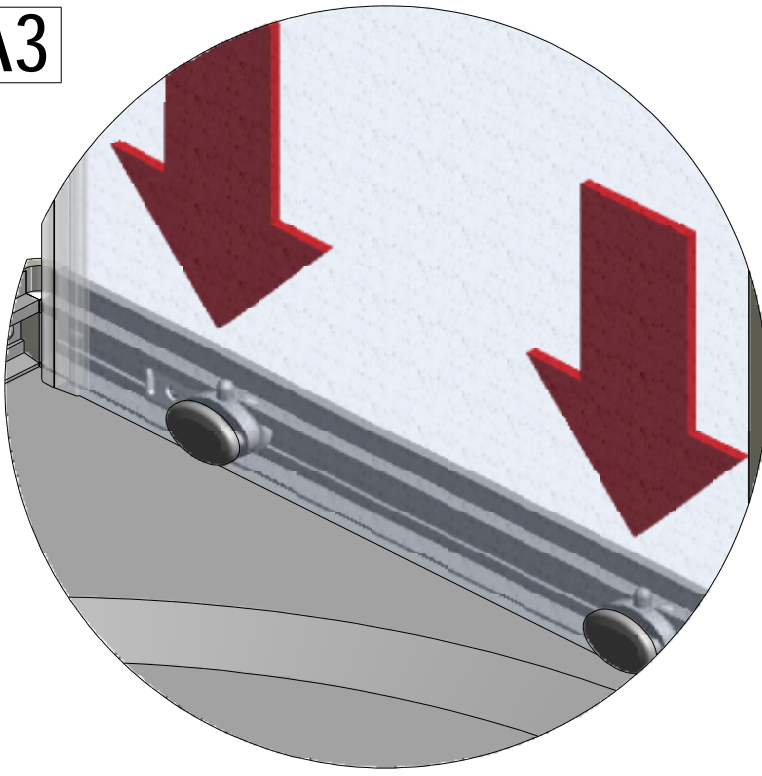
AA1



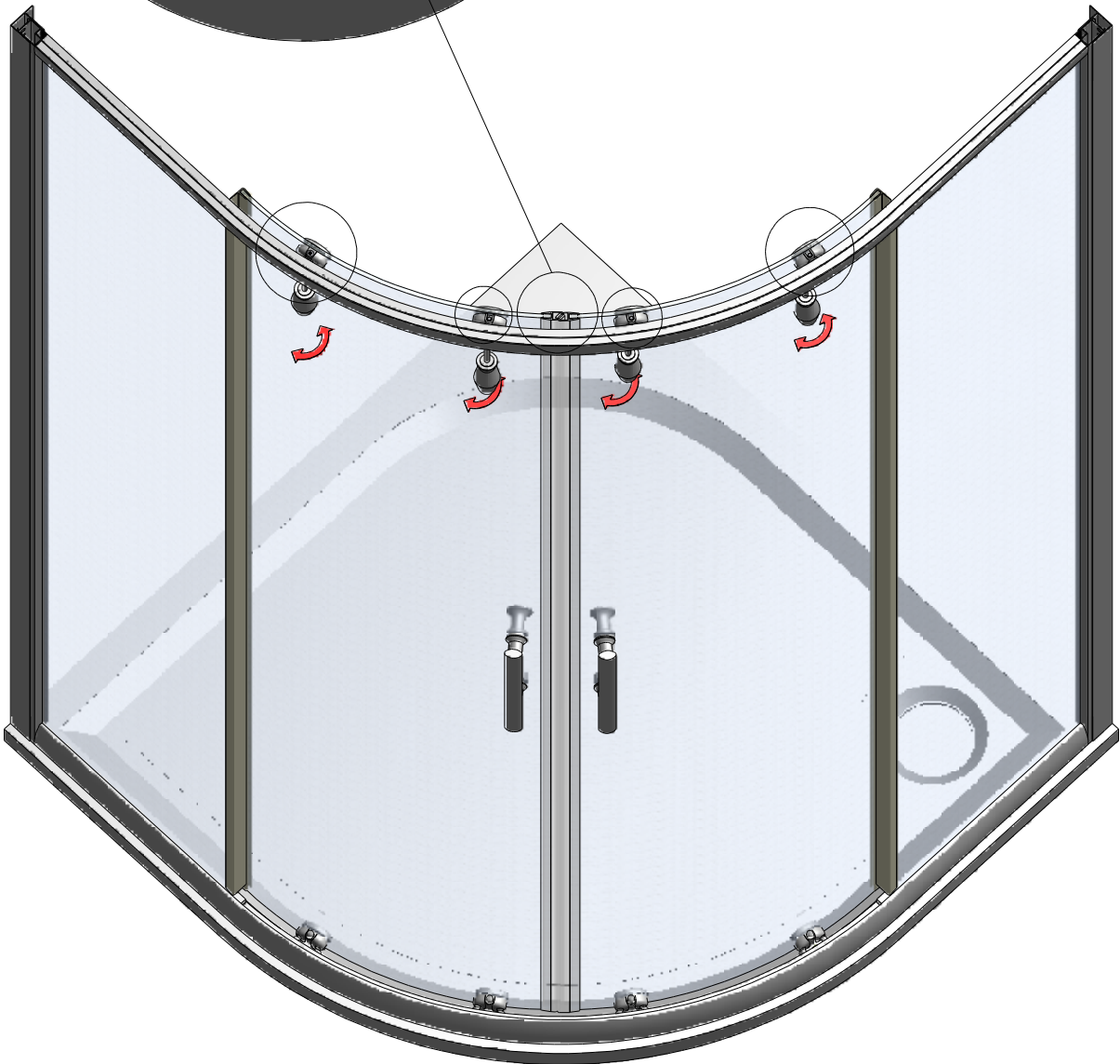
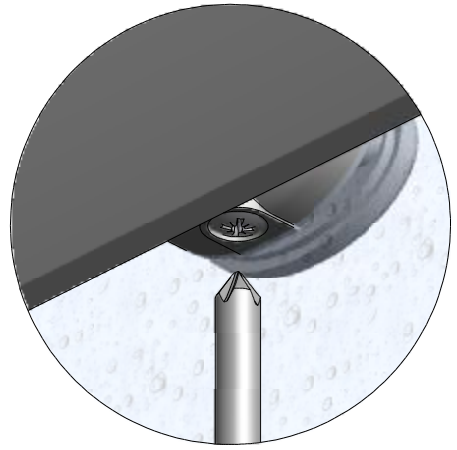
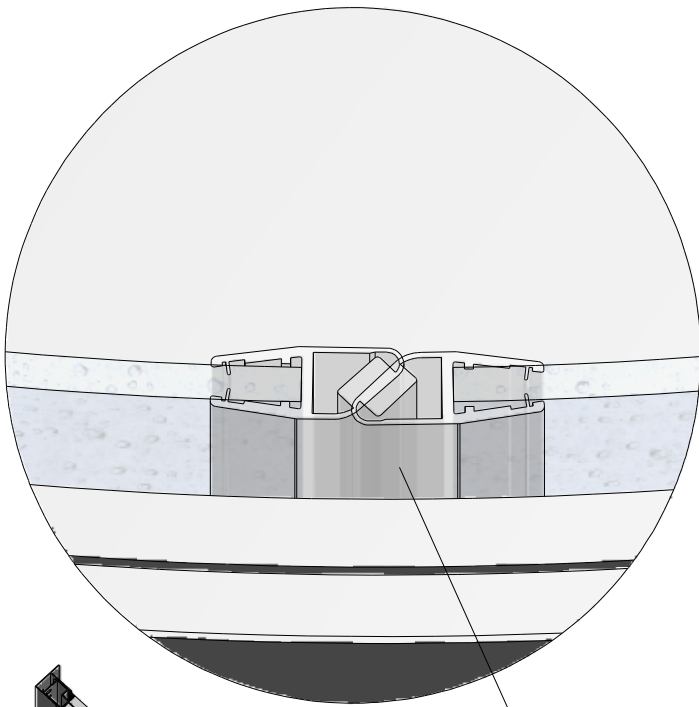
AA2



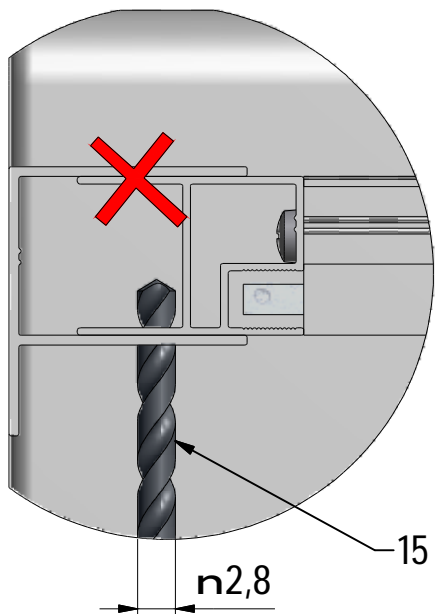
AA3



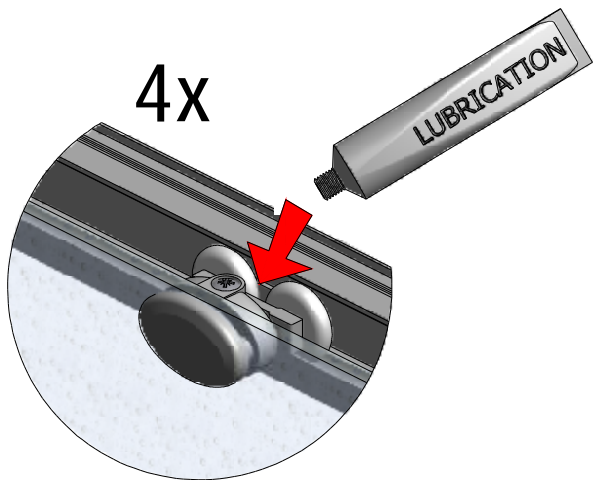
AB



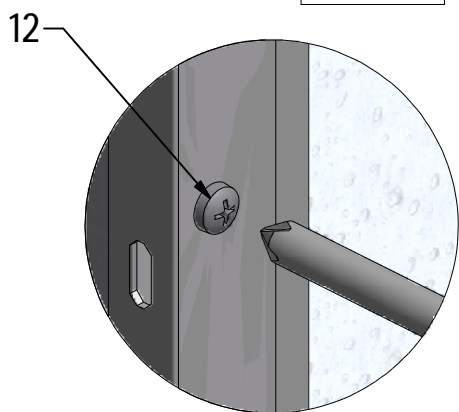
**AC1** 6x



4x



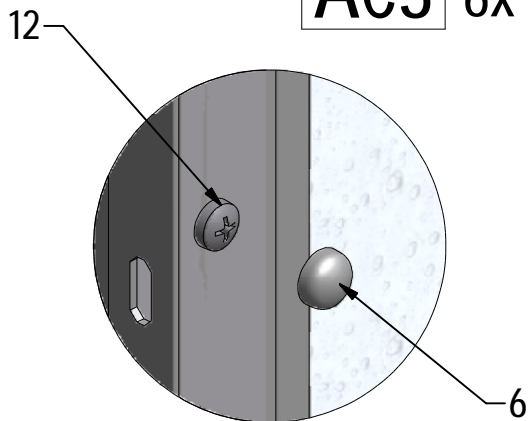
**AC2** 6x



TOOL

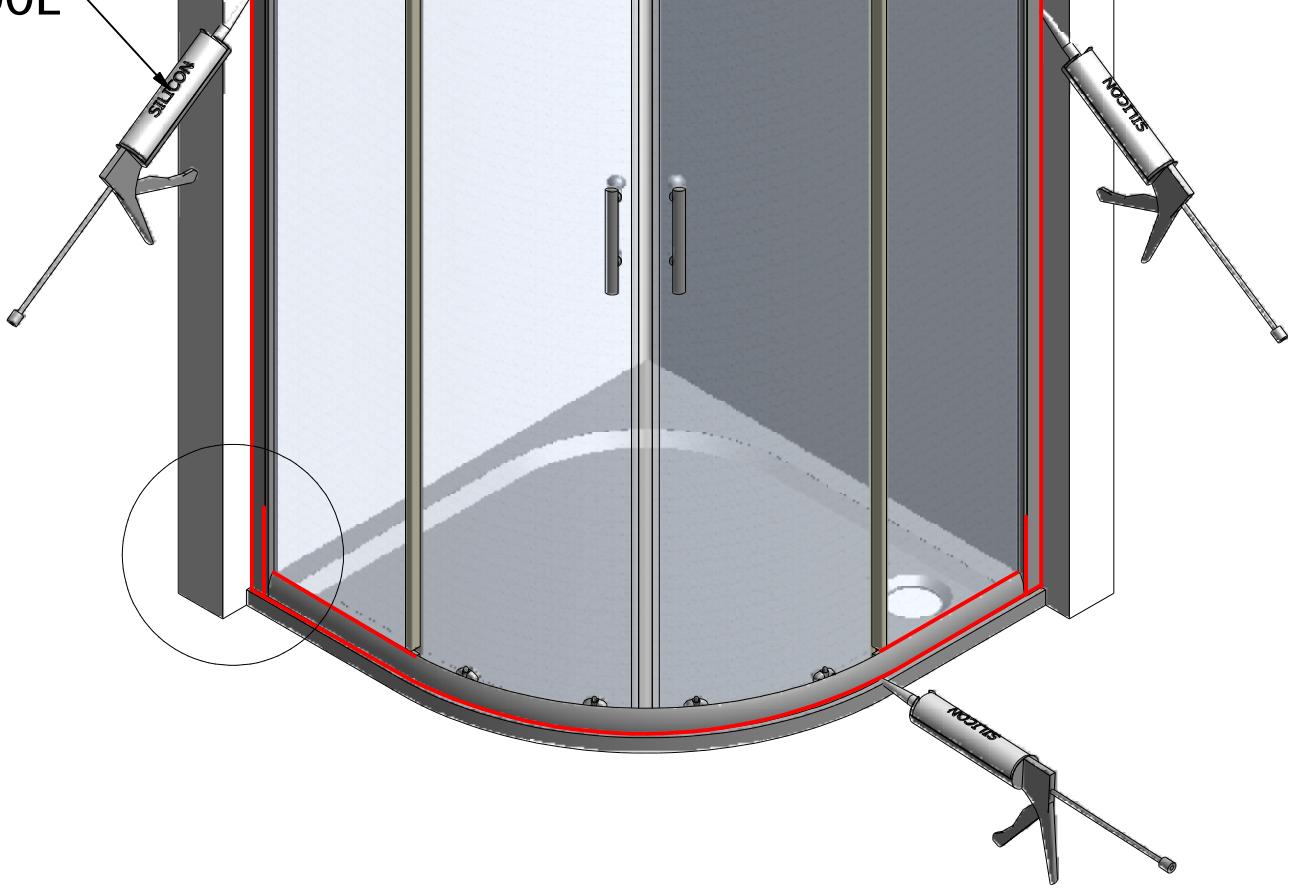
TOOL

**AC3** 6x

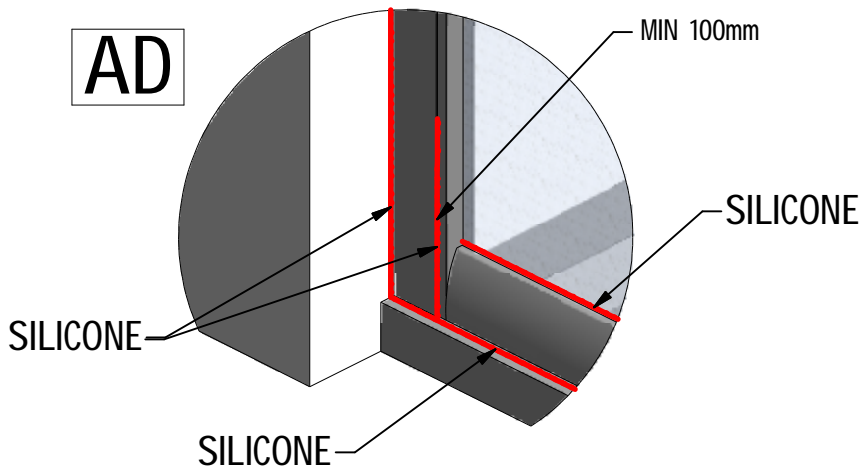




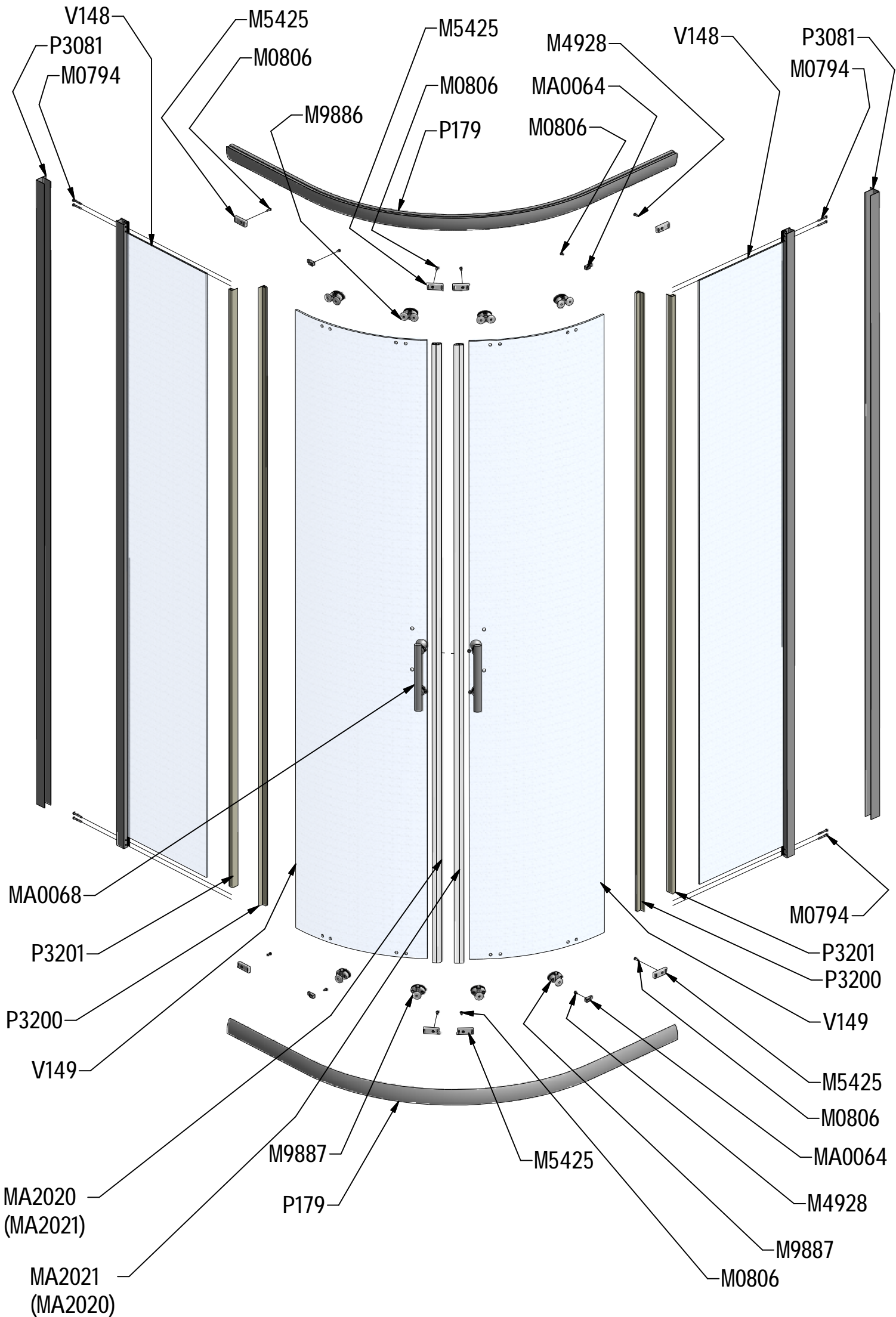
TOOL



AD







P179	800	brillant	argent poli	MA2585
	900			MA2586
V148	800	brillant+clear glass	argent poli + clair anti-calcaire	ND03-0570-00-02
	900			ND03-0524-00-02
V149	800;900	clear glass	clair anti-calcaire	ND02-0692-02



