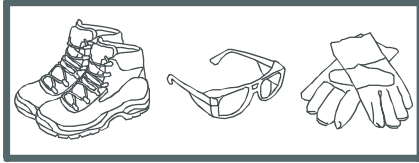
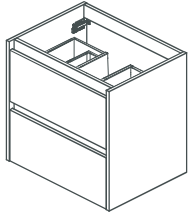


NEW BETA SUSPENDIDO

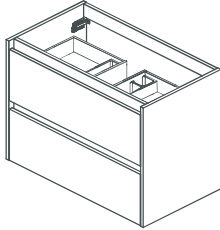
1171313
2019-056



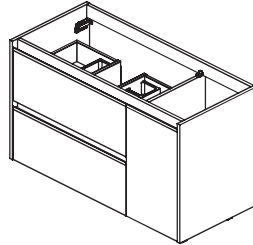
60



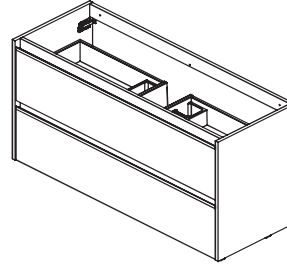
80



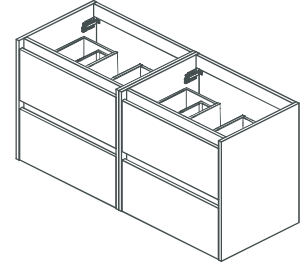
100



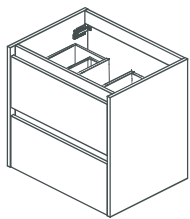
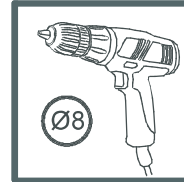
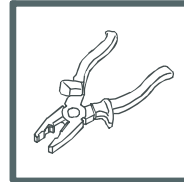
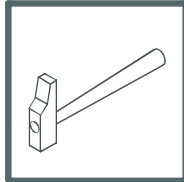
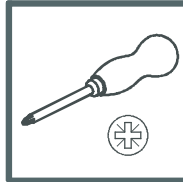
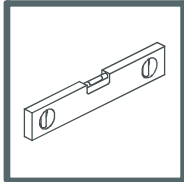
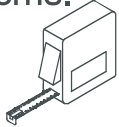
120



60+60



cms.



60-80-120



x2

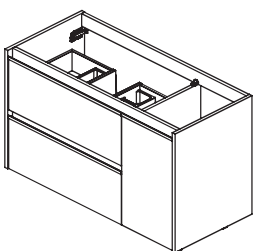


x4



x4

BO-719



100



x3

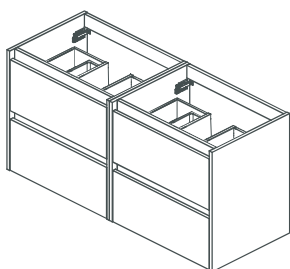


x6



x6

BO-719



60+60



x4



x8



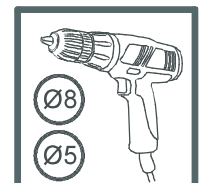
x8



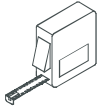
x4

BO-719

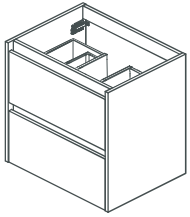
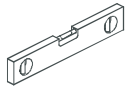
BO-266



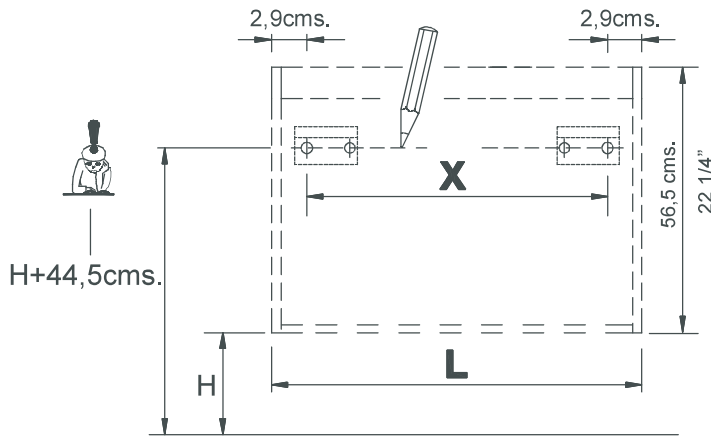
01.



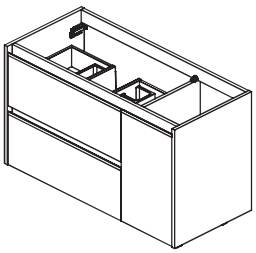
cms.



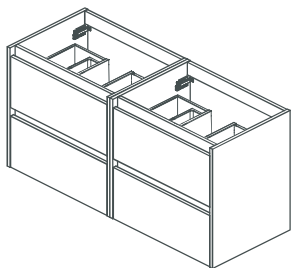
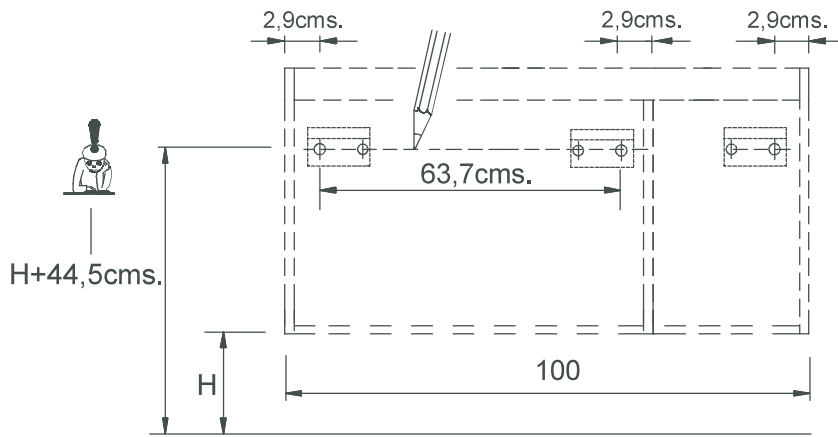
60-80-120



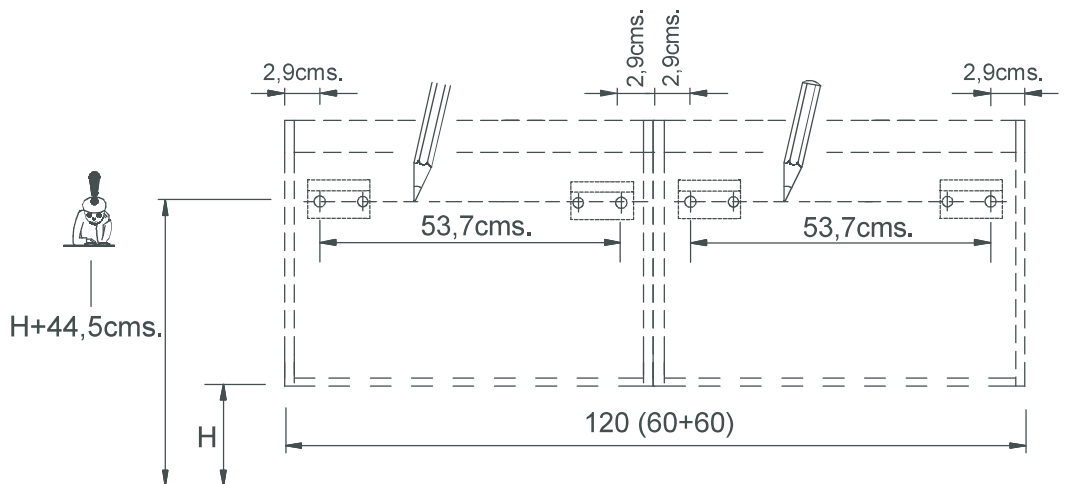
L: 60cms.	→ X=53,7cms.
L: 80cms.	→ X=73,7cms.
L: 120cms.	→ X=113,7cms.



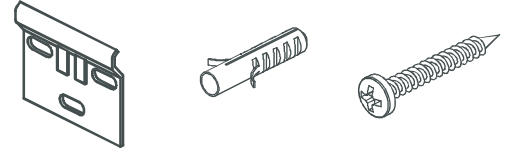
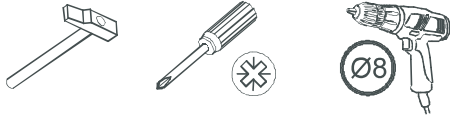
100



60+60

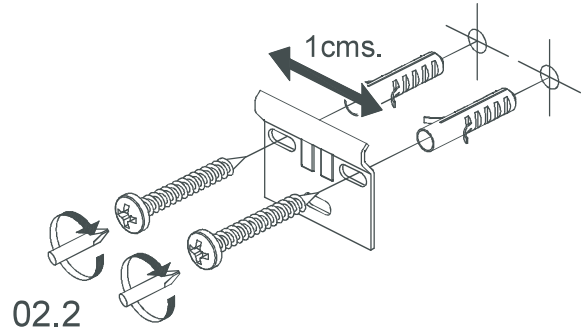
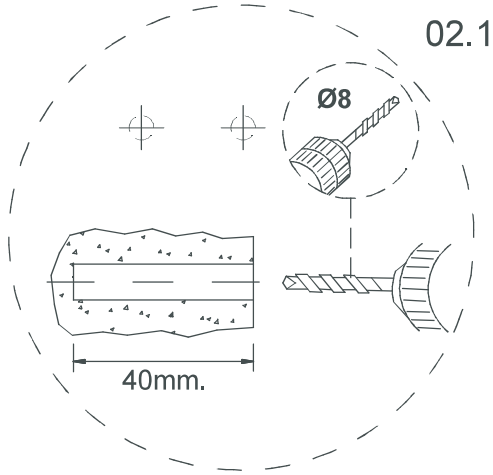


02.

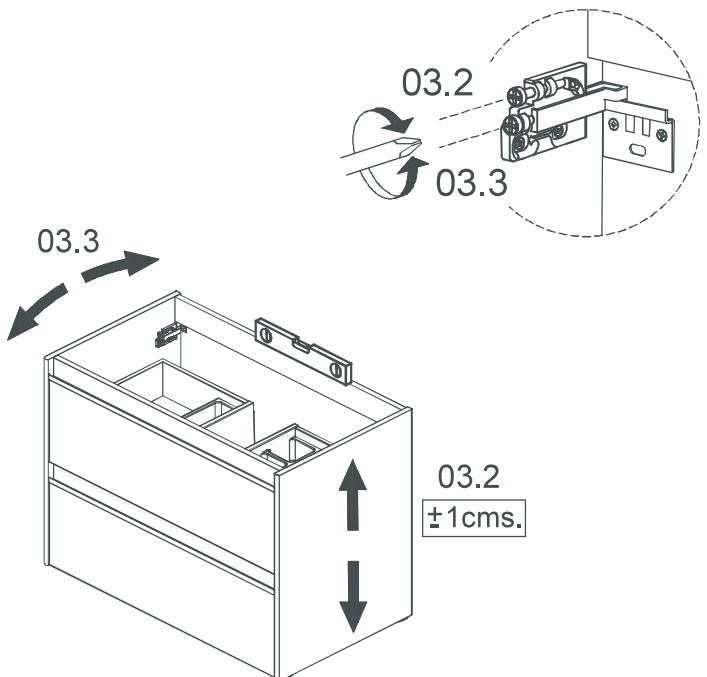
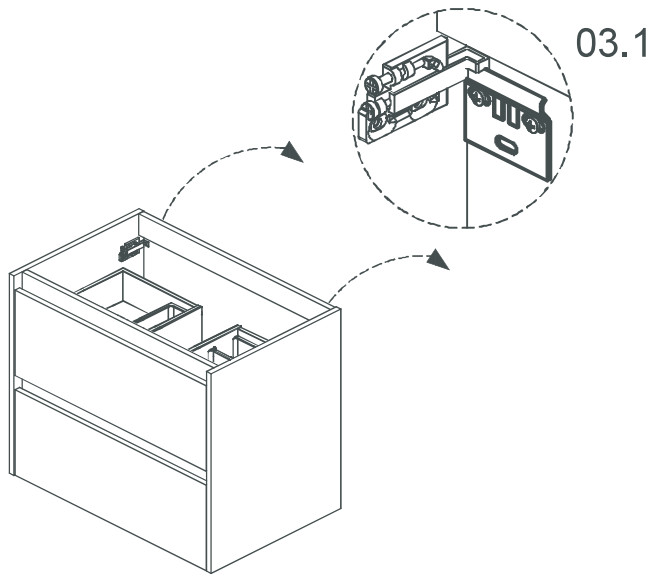
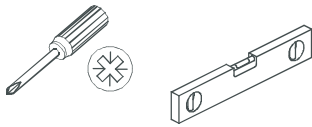


MLV-60/80/120	x2	x4	x4
MLV-100	x3	x6	x6
MLV-60+60	x4	x8	x8

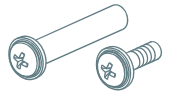
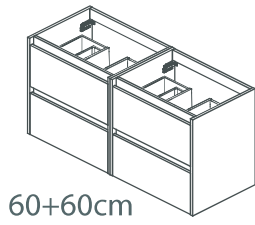
BO-719



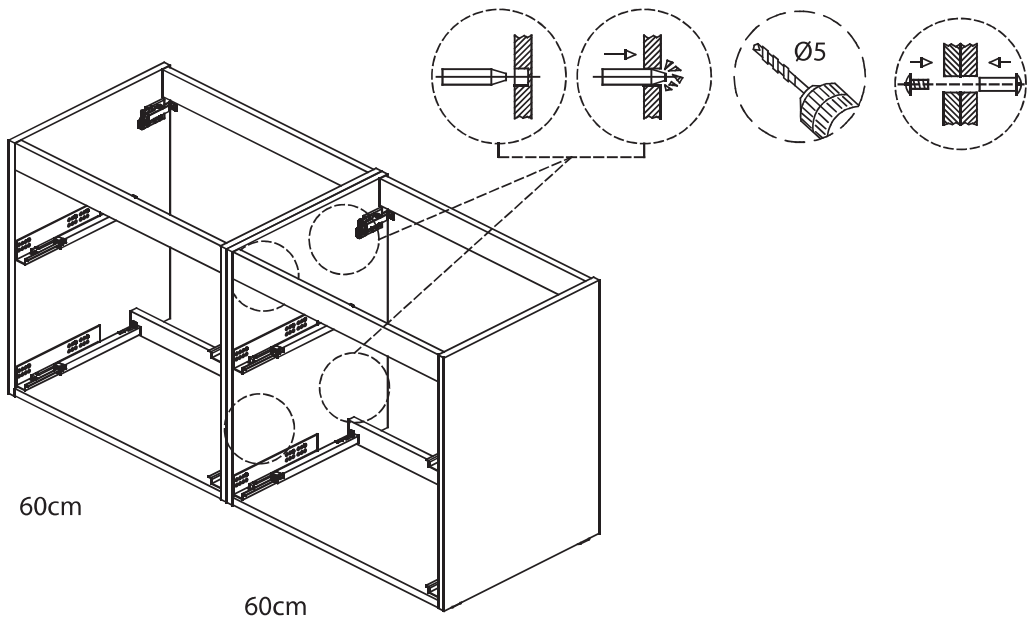
03.



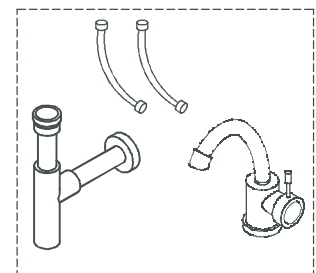
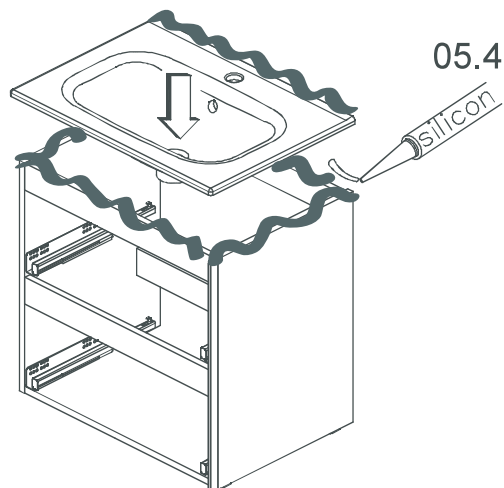
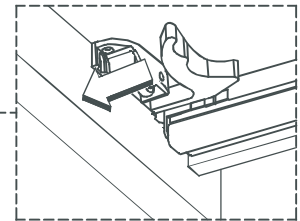
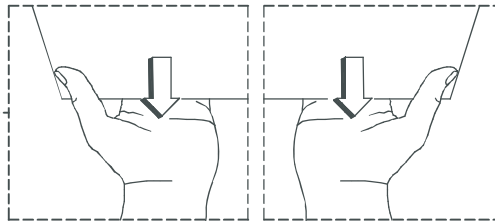
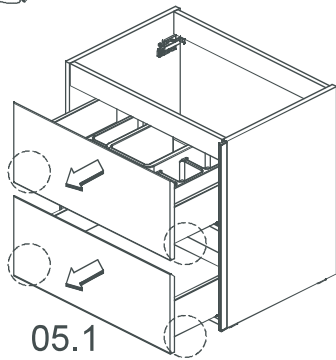
04.



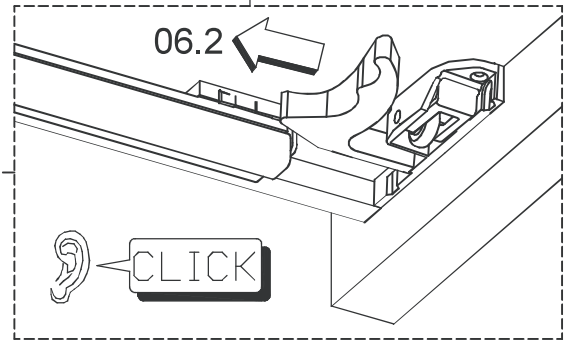
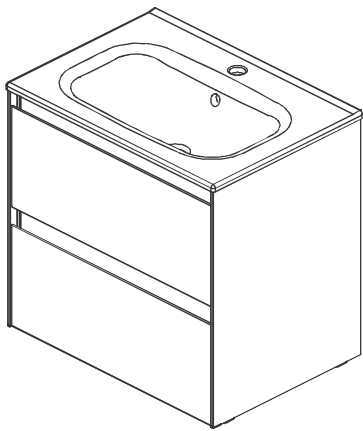
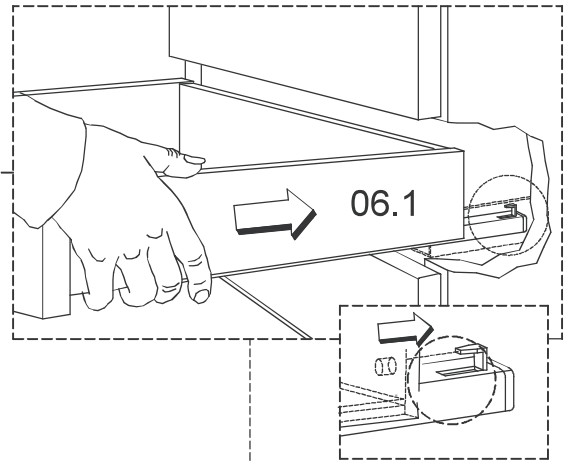
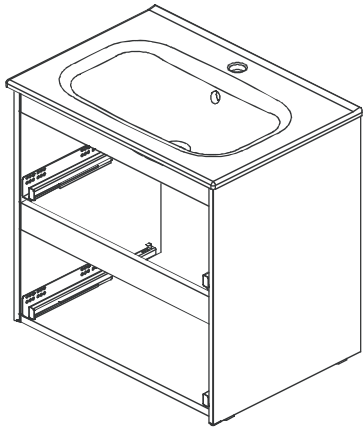
x4



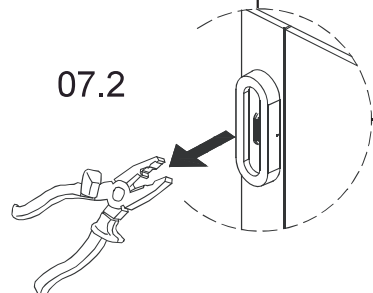
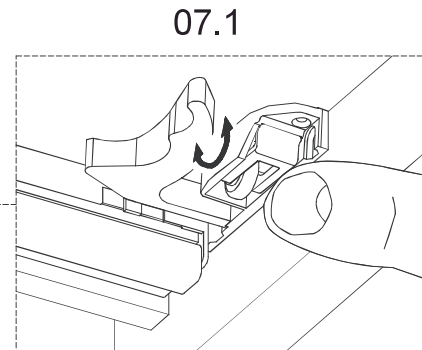
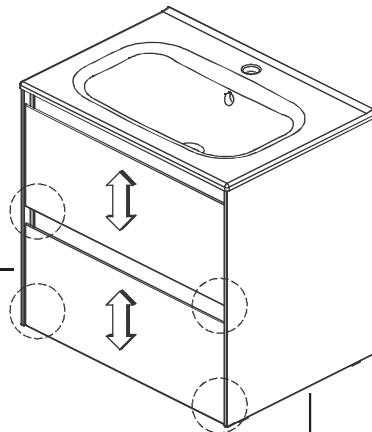
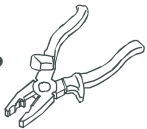
05.



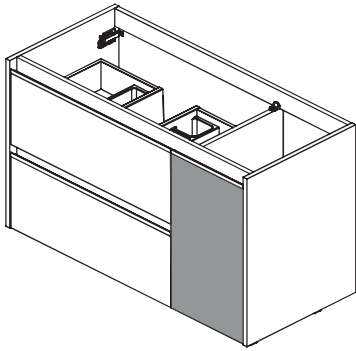
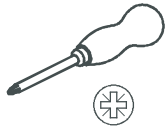
06.



07.

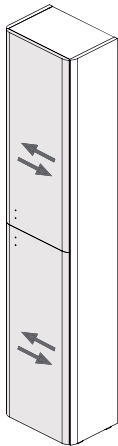
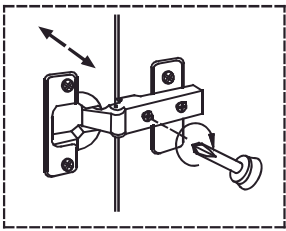


08.

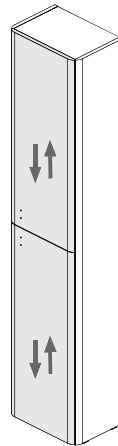
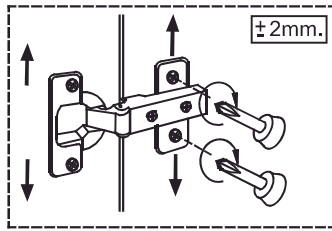


100

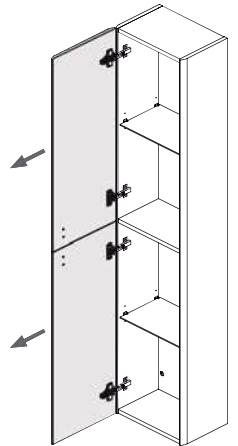
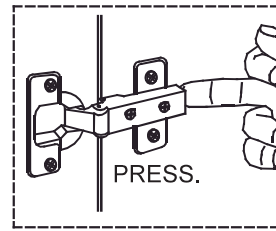
08.1



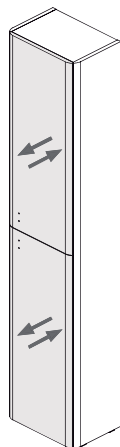
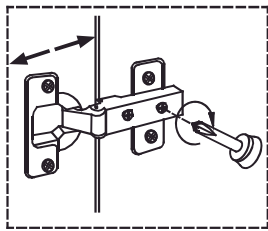
08.2



08.3



08.4



08.5

