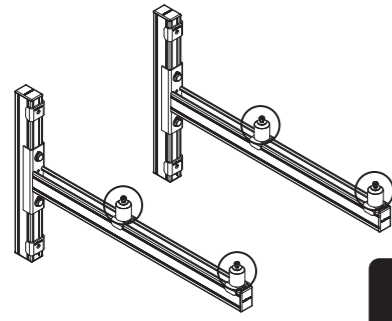
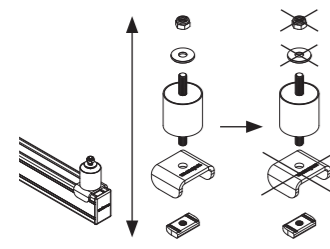
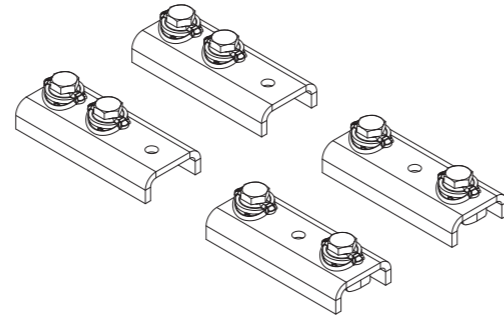


Part no. 6901998 (ISO Kit for female thread units)

Installation

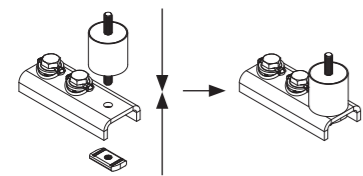


**Note:** This assembly set is only required for devices with female thread on the underside to mount the unit



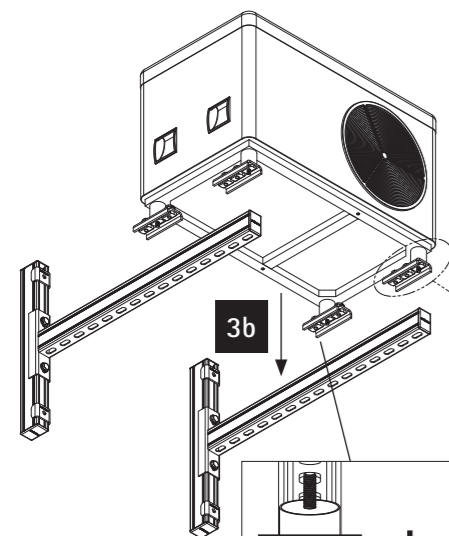
1

**Step 1:** Unscrew the dampers from the standard Wall Mounting Set including slide nuts. The U-washers, round washers and nuts are not needed, take them off.

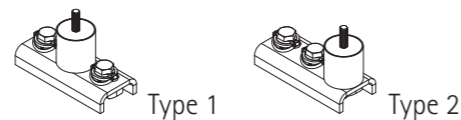
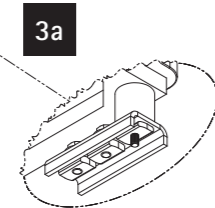


2

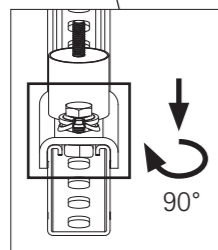
**Step 2:** Screw the dampers (handtight) on the U-shaped brackets in the open hole by using the slidenuits.



**Step 3a:** Mount the brackets on the female thread of the unit. Slide Nuts need to be straight with the bracket. There are two types of brackets, type 1 with the damper in the middle and type 2 with the damper at the end. Type 1 needs to be positioned on the inner side.



**Step 3b:** Position the unit with the mounted U-shaped brackets on the Wall Mounting Set. Push the screw down and turn 90° to close the fasteners (check the right fit before tightening; T = 40Nm).



M8: 25Nm  
M10: 40Nm

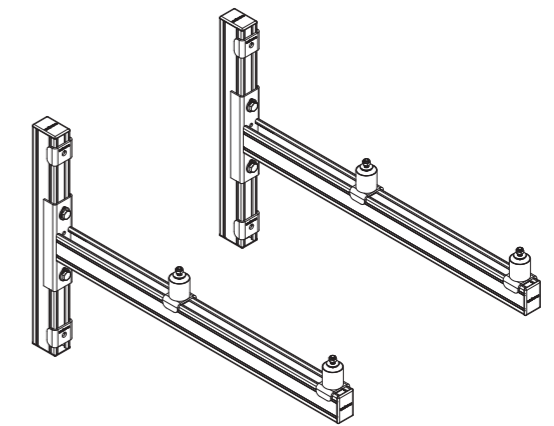
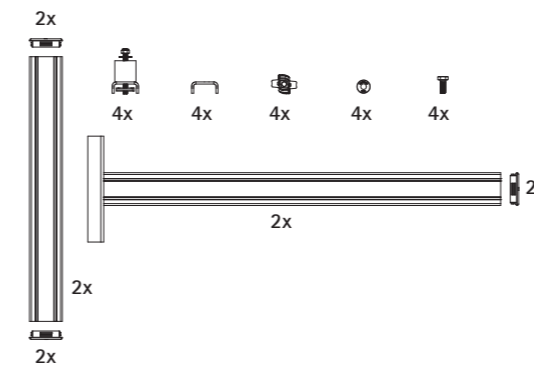
# Walraven Wall Mounting Set 62 | H

## ISO hdg L = 750 mm and L = 900 mm

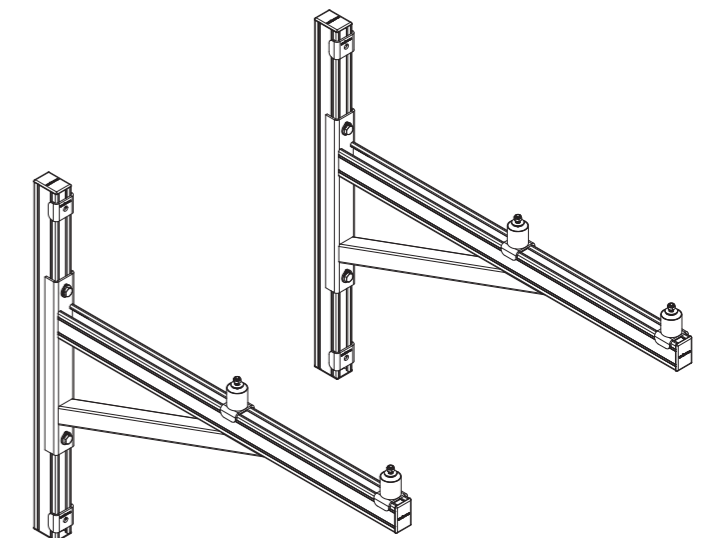
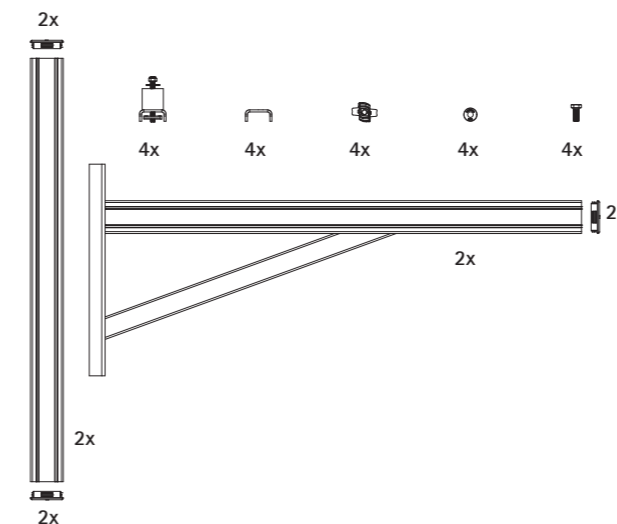
Part No. 6901975 (L = 750 mm), 6901990 (L = 900 mm) and 6901998 (ISO Kit for female thread units)

- |                             |                           |                            |
|-----------------------------|---------------------------|----------------------------|
| EN Assembly instruction     | PT Instrução de montagem  | UA Інструкція з монтажу    |
| DE Montageanleitung         | PL Instrukcja montażu     | DK Monteringsvejledning    |
| NL Montage-instructie       | CZ Montážní návod         | SE Monteringsanvisninga    |
| FR Instructions de montage  | SK Montážny návod         | NO Montasjeanvisning       |
| ES Instrucciones de montaje | RO Instrucțiuni de montaj | IT Istruzioni di montaggio |

Part No.	L (mm)	Fa,z (kg)
6901975	750	120



Part No.	L (mm)	Fa,z (kg)
6901990	900	180

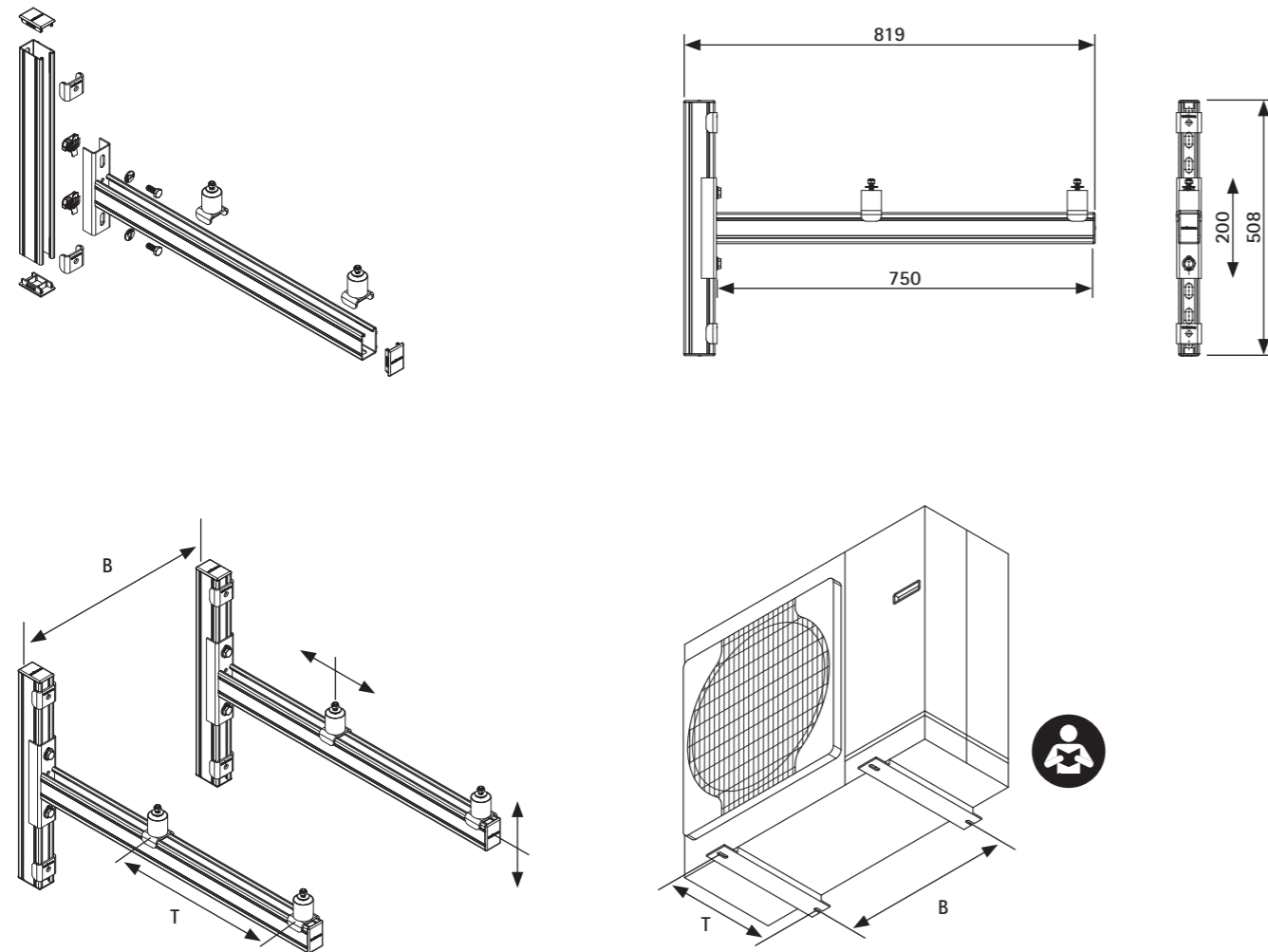


	UK +44 1295 75 34 00	ES +34 93 721 33 75	US +1 800 610 5056	CN +86 21 5176 0268
	DE +49 921 75600	PL +48 12 684 00 95	DK +45 46 37 05 10	SG +65 6970 0605
	NL +31 297 23 30 00	CZ/SK +420 326 724 009	SE +46 40 36 54 20	
	BE +32 16 82 20 40	HU +36 1 920 2458	NO +45 46 37 05 10	Other countries
	FR +33 4 76 04 10 70	UA +380 44 351 27 47	GR +30 210 6008565	+31 297 23 30 00

966000189 - Assembly Instruction Walraven Wall Mounting Set 62|H ISO hdg L=750mm and L=900mm - 08/2023 - pdf - Full content subject to modifications

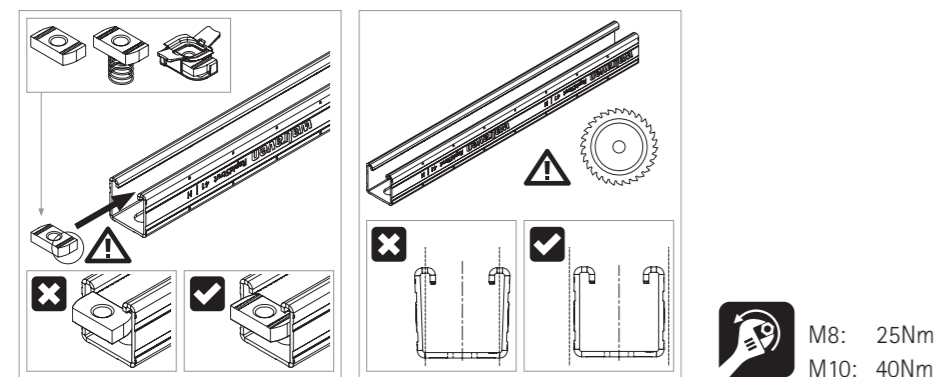
Part No. 6901975 (L = 750 mm)

Installation



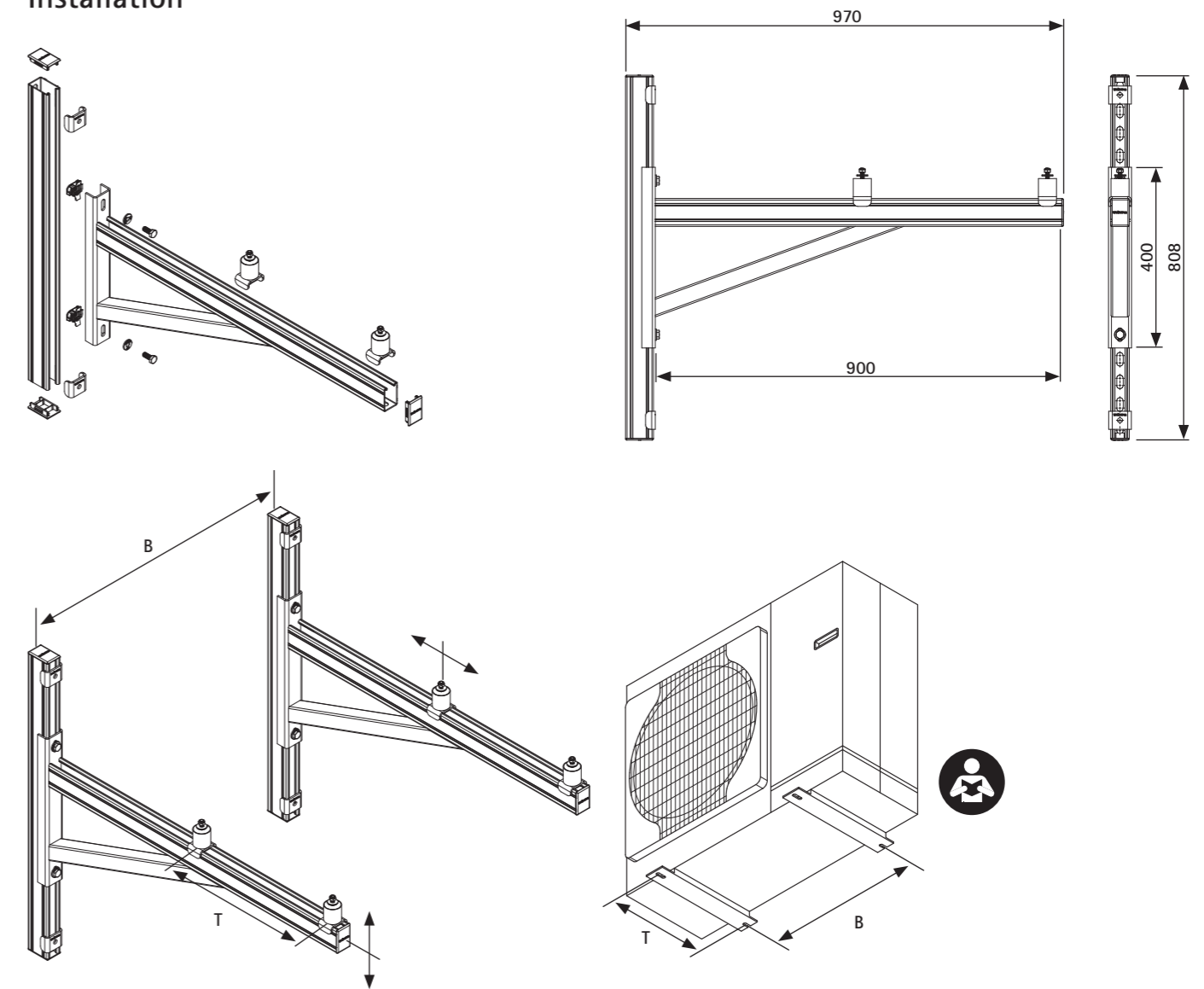
**!** **Note:** Select suitable screws and anchors to secure the system rails on the wall.  
If the load bearing capacity of the wall cannot be guaranteed, do not use the wall mounting bracket.  
Walraven has an extensive range of anchors and fasteners suitable for this application.

Walraven RapidStrut® slidenuts – Correct Use!



Part No. 6901990 (L = 900 mm)

Installation



**!** **Note:** Select suitable screws and anchors to secure the system rails on the wall.  
If the load bearing capacity of the wall cannot be guaranteed, do not use the wall mounting bracket.  
Walraven has an extensive range of anchors and fasteners suitable for this application.

Walraven RapidStrut® slidenuts – Correct Use!

